

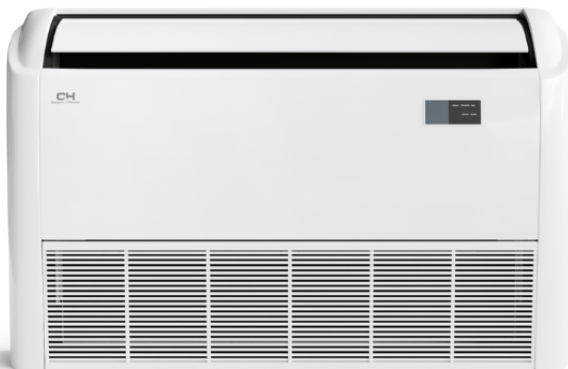
Job Name: _____
Location: _____
Engineer: _____
Submitted to: _____
Submitted by: _____
Reference: _____

Date: _____
Approval: _____
Construction: _____
Unit #: _____
Drawing #: _____

KEY FEATURES:

- MULTIPLE FAN SPEED
- REMOTE CONTROL
- INVERTER TECHNOLOGY
- HIGH-FREQUENCY RACER TECHNOLOGY
- ELECTRONIC EXPANSION VALVE
- INTELLIGENT DUSTING SWITCH

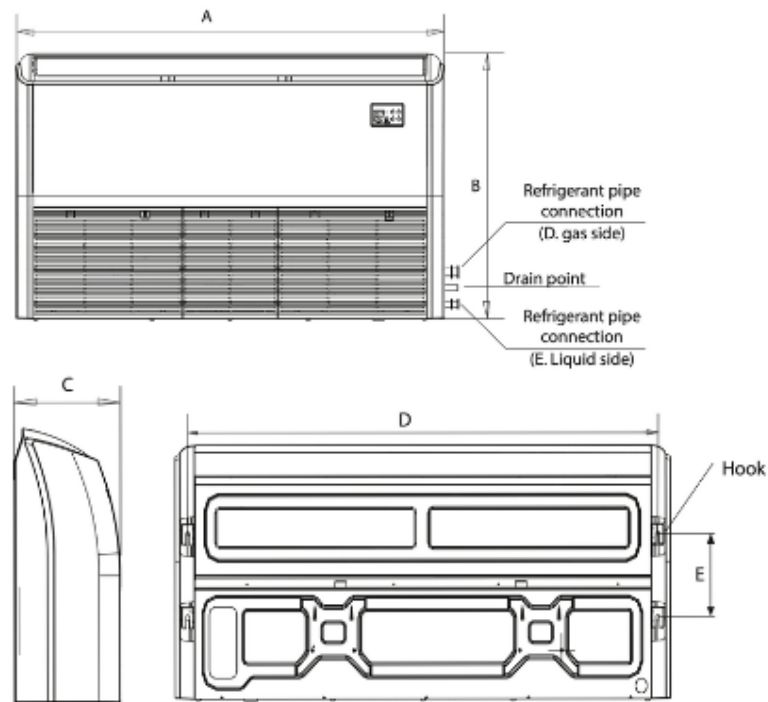
NOTES:



Indoor Model			CH-48LCFC/I
Power supply		V, Ph, Hz	208-230V, 1Ph, 60Hz
Communication wiring			14AWG*2 Stranded, shielded
Cooling	Capacity	Btu/h	48,000(2,150~48,000)
	Input	W	5,930(575~5,800)
	Rated current	A	24.86(4.51~25.41)
	EER/EER2	Btu/w	8.2
	SEER/SEER2	Btu/w	17
Heating at 47 °F	Capacity	Btu/h	51,000(11,800~56,300)
	Input	W	5,150(670~5,590)
	Rated current	A	20.6(4.98~24.48)
	COP	W/W	2.9
	HSPF4/HSPF2-4		9.8
	HSPF5/HSPF2-5		7.5
Indoor fan motor		Qty	1
		Input (W)	192
		RLA (A)	1.8
Indoor air flow (Turbo/Hi/Med/Lo) (No duct)		CFM	1,400/1,352.94/1,117.65/1,000
ESP (range)		In.wg.	
Indoor noise level (Hi/Med/Lo)		dB(A)	55/50/44
Dehumidification		Pnt/H	13.15
Indoor unit	Dimensions (WxDxH)	inch	64.96x26.57x9.25
	Packing (WxDxH)	inch	67.91x29.72x12.52
	Net/Gross weight	lbs	87.74/102.29
Drainage water pipe diameter		inch	1"
Refrigerant piping (Liquid side/Gas side)		inch	3/8"/5/8"
Design pressure		PSIG	550/340
Controller			RG10K-exclusive remote&120X or 120N wire controller
Room temperature	Cooling	F	62~90
	Heating	F	32~86

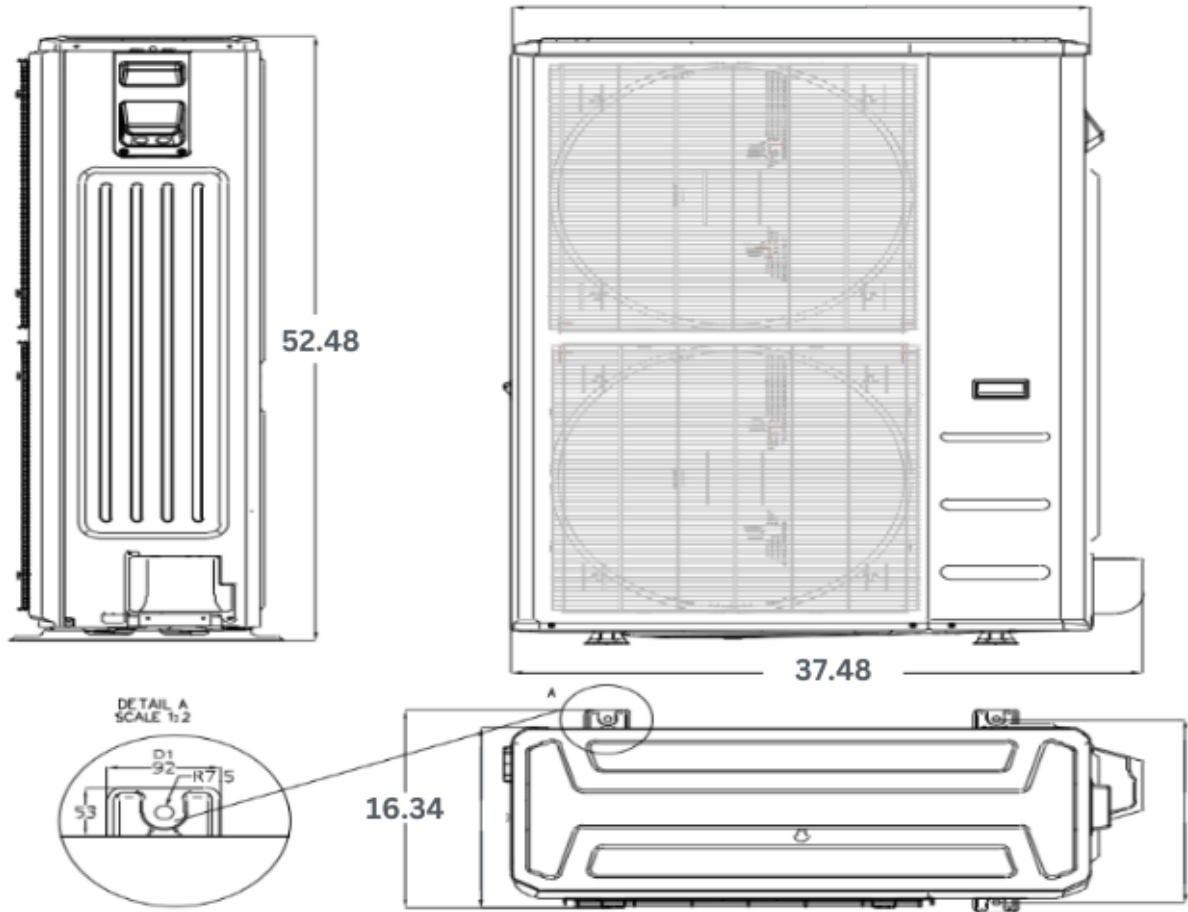
Outdoor Model			CH-NHPR48LCU-230VO
Power supply		V, Ph, Hz	208-230V, 1Ph, 60Hz
Min. circuit ampacity		A	40
Max. fuse		A	50
Compressor	Model		EAPQ420D1UMUA
	Type		ROTARY
	Brand		GMCC
	Capacity	Btu/h	44,010
	Input	W	3.565
	Rated current (RLA)	A	33
	Refrigerant oil	oz	VG74 49.4
Outdoor fan motor	Qty		2
	Input	W	126
	RLA	A	1.2
	Speed	r/min	900/850/800/750
Outdoor air flow (Max)		CFM	4,500
Outdoor noise level (Max)		dB(A)	65
Throttle type			EXV+Throttle valve
Outdoor unit	Dimensions (WxDxH)	inch	37.48x16.34x52.48
	Packing (WxDxH)	inch	43.11x19.49x58.27
	Net/Gross weight	inch	227.07/255.73
Refrigerant	Type		R410A
	Precharge	ft	25
Additional charge for 1/4 inch liquid pipe		oz	
Additional charge for 3/8 inch liquid pipe		oz	0.32
Refrigerant piping	Liquid side/Gas side	inch	3/8"/5/8"
	Max. pipe length	ft	213.25
	Max. difference in level	ft	98.42
Ambient temperature	Cooling	F	5~122
	Heating	F	-22~75

INDOOR UNIT



Unit Dimensions, in			Mounting Dimensions, in	
A	B	C	D	E
64.96	26.57	9.25	61.6	8.7

CH-NHPR48LCU-230VO



Dimensions	Width	Depth	Height
Inches	37.48	16.34	52.48