

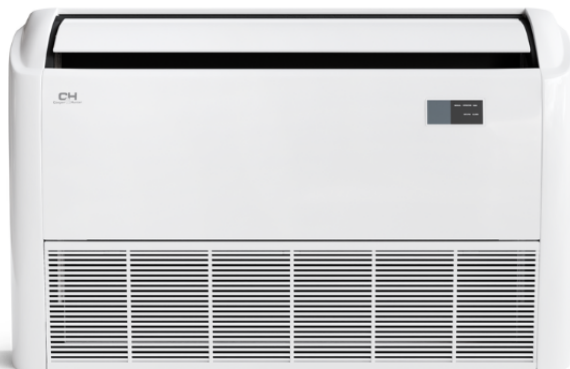
Job Name: _____
Location: _____
Engineer: _____
Submitted to: _____
Submitted by: _____
Reference: _____

Date: _____
Approval: _____
Construction: _____
Unit #: _____
Drawing #: _____

KEY FEATURES:

- MULTIPLE FAN SPEED
- REMOTE CONTROL
- INVERTER TECHNOLOGY
- HIGH-FREQUENCY RACER TECHNOLOGY
- ELECTRONIC EXPANSION VALVE
- INTELLIGENT DUSTING SWITCH

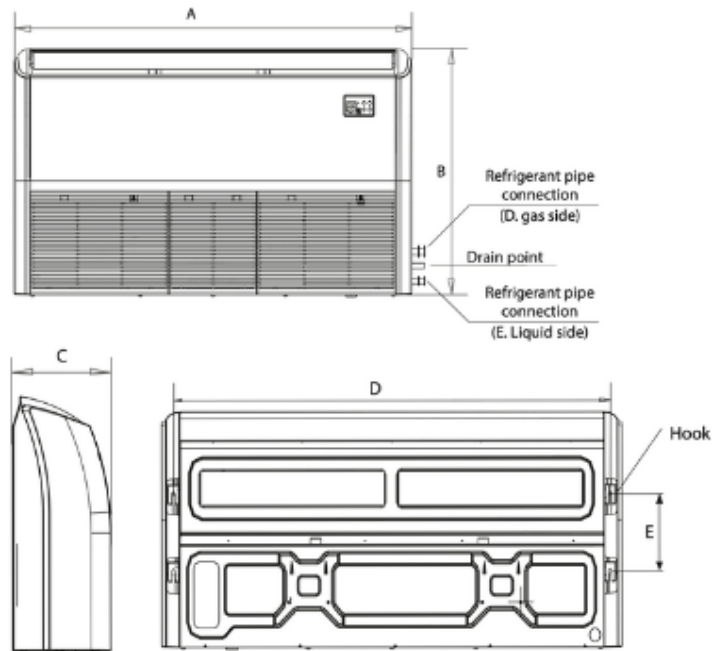
NOTES:



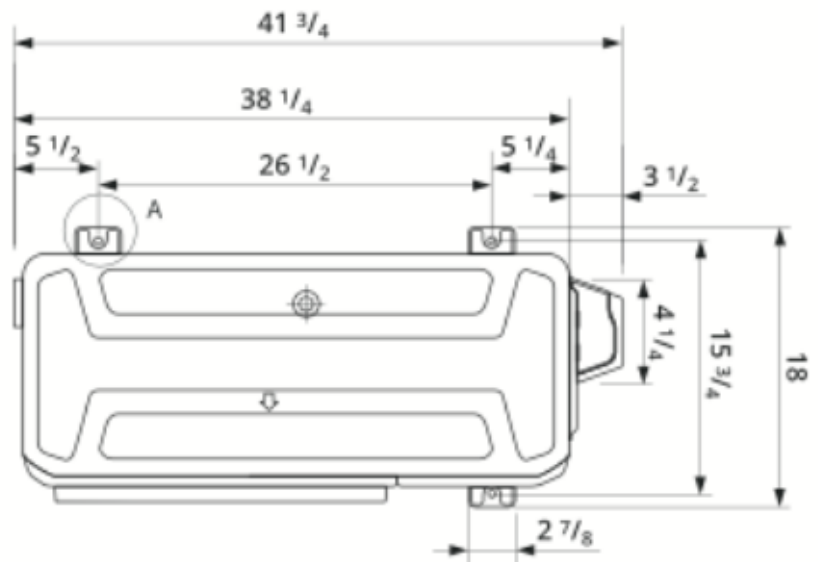
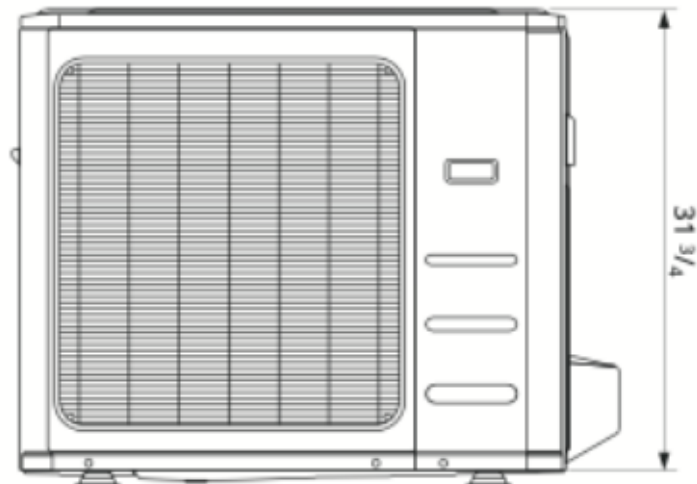
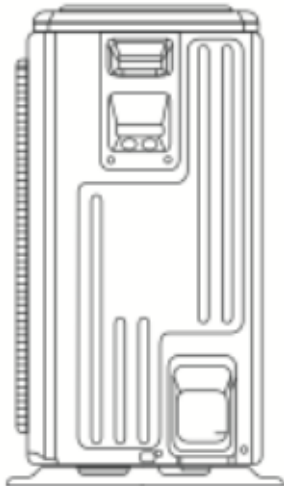
Indoor Model			CH-24MSPHFC-230VI
Power supply		V, Ph, Hz	208-230V, 1Ph, 60Hz
Communication wiring			14AWG*4
Cooling	Capacity	Btu/h	24,000(5,400~26,800)
	Input	W	2,087(250~2,400)
	Rated current	A	9.55(2.0~11.0)
	EER/EER2	Btu/w	11.7
	SEER/SEER2	Btu/w	20.5
Heating at 47 °F	Capacity	Btu/h	25,000(12,500~30,500)
	Input	W	2,060(730~2,500)
	Rated current	A	9.15(5.0~11.0)
	COP	W/W	3.56
	HSPF4/HSPF2-4		11
	HSPF5/HSPF2-5		9
Indoor fan motor		Qty	1
		Input (W)	96
		RLA (A)	1.5
Indoor air flow (Turbo/Hi/Med/Lo) (No duct)		CFM	794.6/758.82/708.24/598.24
ESP (range)		In.wg.	
Indoor noise level (Hi/Med/Lo)		dB(A)	51/47.5/42
Dehumidification		Pnt/H	6.47
Indoor unit	Dimensions (WxDxH)	inch	42.05x26.57x9.25
	Packing (WxDxH)	inch	45.08x29.72x12.52
	Net/Gross weight	lbs	60.63/72.09
Drainage water pipe diameter		inch	1"
Refrigerant piping (Liquid side/Gas side)		inch	3/8"/5/8"
Design pressure		PSIG	550/340
Controller			RG10K-exclusive remote&120X or 120N wire controller
Room temperature	Cooling	F	62~90
	Heating	F	32~86

Outdoor Model			CH-HPR24-230VO
Power supply		V, Ph, Hz	208-230V, 1Ph, 60Hz
Min. circuit ampacity		A	25
Max. fuse		A	35
Compressor	Model		KTM240D43UKT
	Type		Twin-ROTARY
	Brand		GMCC
	Capacity	Btu/h	25,930
	Input	W	2,045
	Rated current (RLA)	A	17.1
	Refrigerant oil	oz	VG74 21
Outdoor fan motor	Qty		1
	Input	W	150
	RLA	A	0.5
	Speed	r/min	950/800/500
Outdoor air flow (Max)		CFM	2,235.29
Outdoor noise level (Max)		dB(A)	62.5
Throttle type			EXV+Throttle valve
Outdoor unit	Dimensions (WxDxH)	inch	37.24x16.14x31.89
	Packing (WxDxH)	inch	42.91x19.69x34.84
	Net/Gross weight	inch	134.48/144.40
Refrigerant	Type		R410A
	Precharge	ft	25
Additional charge for 1/4 inch liquid pipe		oz	
Additional charge for 3/8 inch liquid pipe		oz	0.32
Refrigerant piping	Liquid side/Gas side	inch	3/8"/5/8"
	Max. pipe length	ft	164.04
	Max. difference in level	ft	82.02
Ambient temperature	Cooling	F	-22 ~ 122
	Heating	F	-22~75

INDOOR UNIT



Unit Dimensions, in			Mounting Dimensions, in	
A	B	C	D	E
42.1	26.6	9.3	38.7	8.7



**DETAIL A
SCALE 1:1**

