

**Job Name:** \_\_\_\_\_  
**Location:** \_\_\_\_\_  
**Engineer:** \_\_\_\_\_  
**Submitted to:** \_\_\_\_\_  
**Submitted by:** \_\_\_\_\_  
**Reference:** \_\_\_\_\_

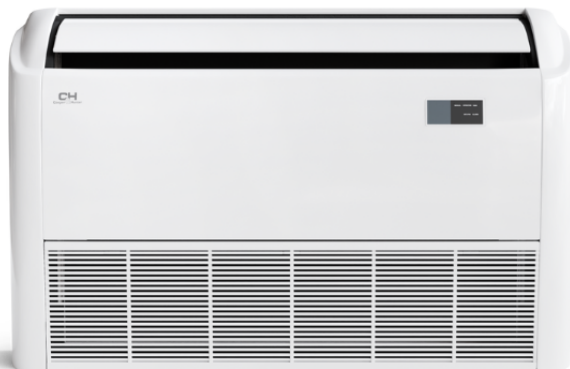
**Date:** \_\_\_\_\_  
**Approval:** \_\_\_\_\_  
**Construction:** \_\_\_\_\_  
**Unit #:** \_\_\_\_\_  
**Drawing #:** \_\_\_\_\_

### KEY FEATURES:

- MULTIPLE FAN SPEED
- REMOTE CONTROL
- INVERTER TECHNOLOGY
- HIGH-FREQUENCY RACER TECHNOLOGY
- ELECTRONIC EXPANSION VALVE
- INTELLIGENT DUSTING SWITCH

### NOTES:

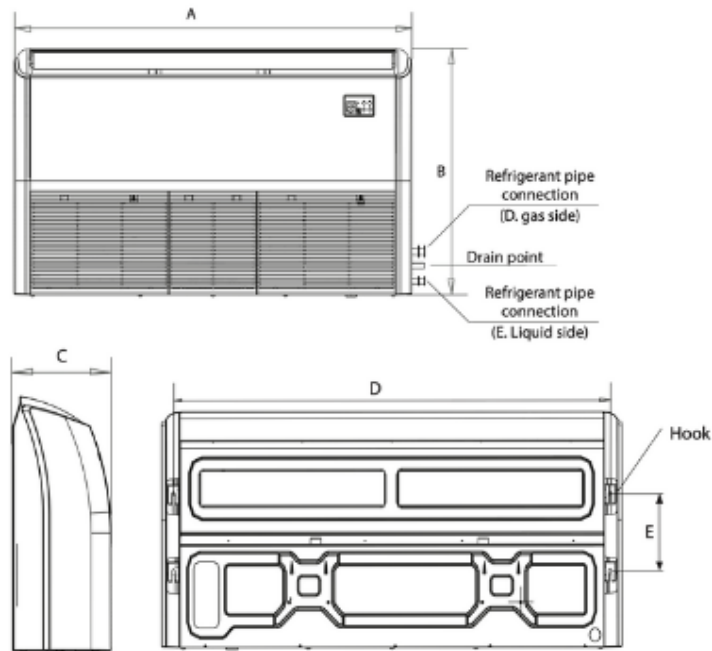
\_\_\_\_\_  
 \_\_\_\_\_  
 \_\_\_\_\_  
 \_\_\_\_\_  
 \_\_\_\_\_



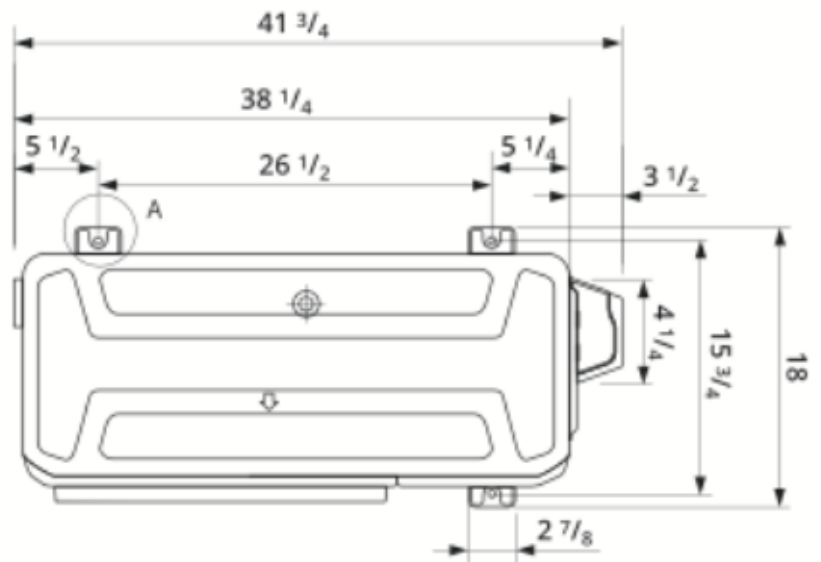
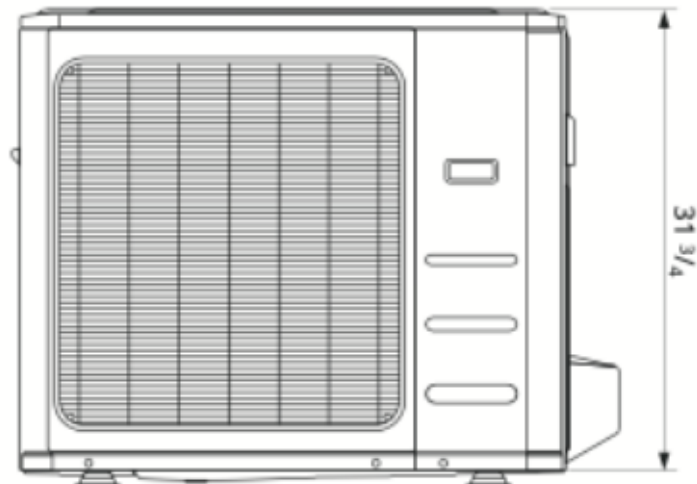
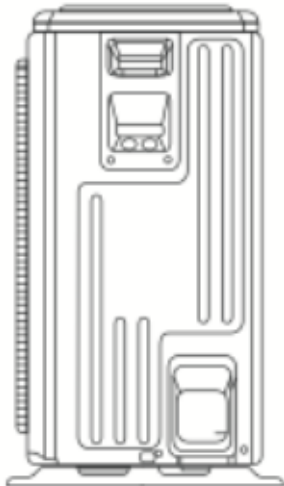
Indoor Model			CH-18MSPHFC-230VI
Power supply		V, Ph, Hz	208-230V, 1Ph, 60Hz
Communication wiring			14AWG*4
Cooling	Capacity	Btu/h	17,000(7,800~19,900)
	Input	W	1,360(340~1,940)
	Rated current	A	8.80(2.55~9.20)
	EER/EER2	Btu/w	12.5
	SEER/SEER2	Btu/w	20.5
Heating at 47 °F	Capacity	Btu/h	18,000(8,600~21,500)
	Input	W	1,655(590~2,200)
	Rated current	A	10.90(3.95~11.20)
	COP	W/W	3.01
	HSPF4/HSPF2-4		9.8
	HSPF5/HSPF2-5		7.5
Indoor fan motor		Qty	1
		Input (W)	96
		RLA (A)	1.5
Indoor air flow (Turbo/Hi/Med/Lo) (No duct)		CFM	582.7/548.24/485.29/420.59
ESP (range)		In.wg.	
Indoor noise level (Hi/Med/Lo)		dB(A)	45.5/43/39
Dehumidification		Pnt/H	4.63
Indoor unit	Dimensions (WxDxH)	inch	42.05x26.57x9.25
	Packing (WxDxH)	inch	45.08x29.72x12.52
	Net/Gross weight	lbs	57.10/68.34
Drainage water pipe diameter		inch	1"
Refrigerant piping (Liquid side/Gas side)		inch	1/4"/1/2"
Design pressure		PSIG	550/340
Controller			RG10K-exclusive remote&120X or 120N wire controller
Room temperature	Cooling	F	62~90
	Heating	F	32~86

Outdoor Model			CH-HPR18-230VO
Power supply		V, Ph, Hz	208-230V, 1Ph, 60Hz
Min. circuit ampacity		A	20
Max. fuse		A	25
Compressor	Model		KTM240D43UKT
	Type		Twin-ROTARY
	Brand		GMCC
	Capacity	Btu/h	25,930
	Input	W	2,045
	Rated current (RLA)	A	14.25
	Refrigerant oil	oz	VG74 21
Outdoor fan motor	Qty		1
	Input	W	80
	RLA	A	0.76
	Speed	r/min	810/720
Outdoor air flow (Max)		CFM	1,764.71
Outdoor noise level (Max)		dB(A)	59
Throttle type			EXV
Outdoor unit	Dimensions (WxDxH)	inch	35.04x13.46x26.50
	Packing (WxDxH)	inch	39.17x15.67x29.13
	Net/Gross weight	inch	100.97/108.03
Refrigerant	Type		R410A
	Precharge	ft	25
Additional charge for 1/4 inch liquid pipe		oz	0.16
Additional charge for 3/8 inch liquid pipe		oz	
Refrigerant piping	Liquid side/Gas side	inch	1/4"/1/2"
	Max. pipe length	ft	98.42
	Max. difference in level	ft	65.62
Ambient temperature	Cooling	F	-22 ~ 122
	Heating	F	-22~75

**INDOOR UNIT**



Unit Dimensions, in			Mounting Dimensions, in	
A	B	C	D	E
42.1	26.6	9.3	38.7	8.7



**DETAIL A  
SCALE 1:1**

