

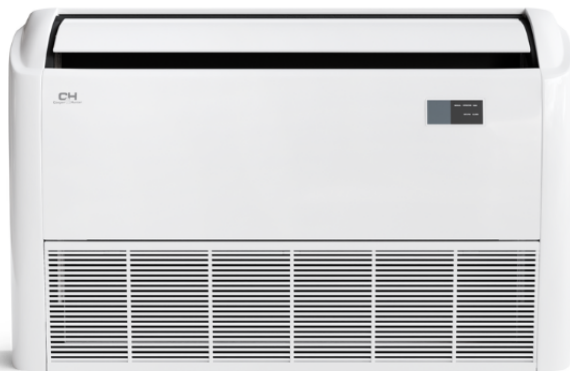
Job Name: _____
Location: _____
Engineer: _____
Submitted to: _____
Submitted by: _____
Reference: _____

Date: _____
Approval: _____
Construction: _____
Unit #: _____
Drawing #: _____

KEY FEATURES:

- MULTIPLE FAN SPEED
- REMOTE CONTROL
- INVERTER TECHNOLOGY
- HIGH-FREQUENCY RACER TECHNOLOGY
- ELECTRONIC EXPANSION VALVE
- INTELLIGENT DUSTING SWITCH

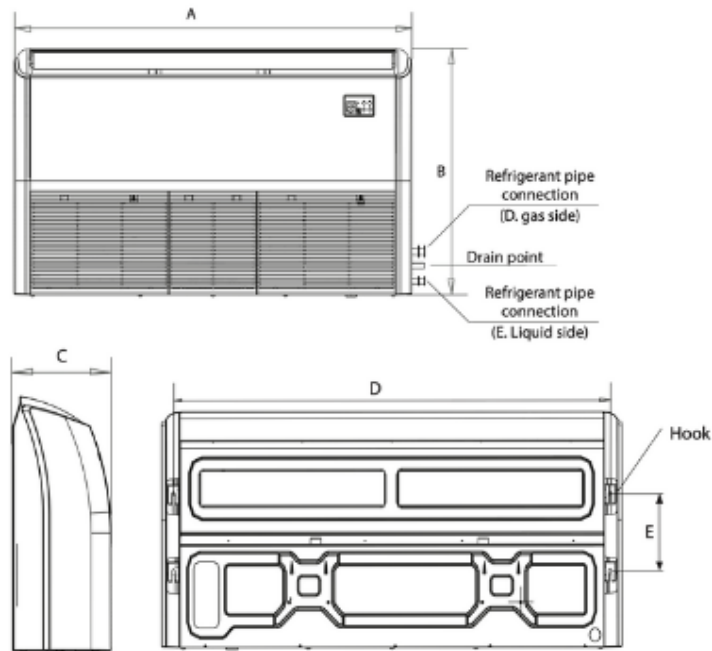
NOTES:



Indoor Model			CH-24MSPHFC-230VI
Power supply		V, Ph, Hz	208-230V, 1Ph, 60Hz
Communication wiring			14AWG*4
Cooling	Capacity	Btu/h	24,000(7,700~25,500)
	Input	W	1,920(320~2,600)
	Rated current	A	8.78(2.2~11.4)
	EER/EER2	Btu/w	12.5
	SEER/SEER2	Btu/w	21.2
Heating at 47 °F	Capacity	Btu/h	24,000(11,600~30,900)
	Input	W	1,920(650~3,000)
	Rated current	A	8.77(4.5~13.0)
	COP	W/W	3.66
	HSPF4/HSPF2-4		10.3
	HSPF5/HSPF2-5		7.8
Indoor fan motor		Qty	1
		Input (W)	96
		RLA (A)	1.5
Indoor air flow (Turbo/Hi/Med/Lo) (No duct)		CFM	794.6/758.82/708.24/598.24
ESP (range)		In.wg.	
Indoor noise level (Hi/Med/Lo)		dB(A)	51/47/42
Dehumidification		Pnt/H	6.23
Indoor unit	Dimensions (WxDxH)	inch	42.05x26.57x9.25
	Packing (WxDxH)	inch	45.08x29.72x12.52
	Net/Gross weight	lbs	60.63/72.09
Drainage water pipe diameter		inch	1"
Refrigerant piping (Liquid side/Gas side)		inch	3/8"/5/8"
Design pressure		PSIG	550/340
Controller			RG10K-exclusive remote&120X or 120N wire controller
Room temperature	Cooling	F	62~90
	Heating	F	32~86

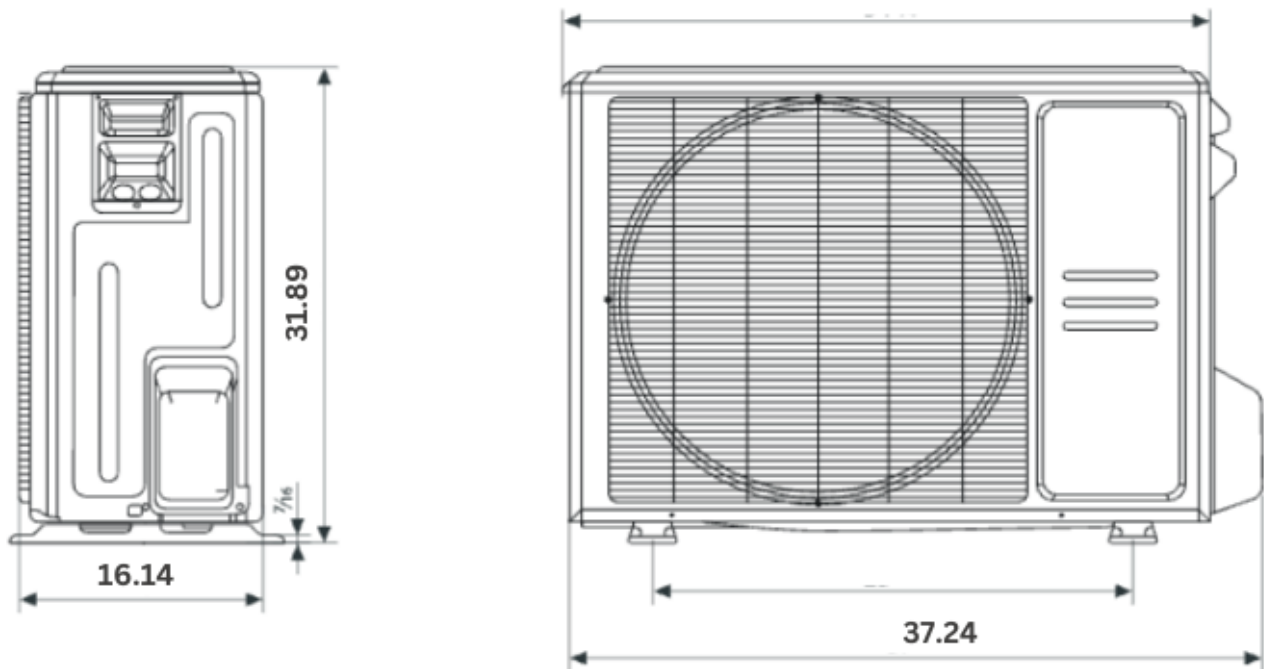
Outdoor Model		CH-ES24-230VO	
Power supply		V, Ph, Hz	208-230V, 1Ph, 60Hz
Min. circuit ampacity		A	23
Max. fuse		A	30
Compressor	Model		KTM240D43UKT
	Type		Twin-ROTARY
	Brand		GMCC
	Capacity	Btu/h	25,930
	Input	W	2,045
	Rated current (RLA)	A	15.4
	Refrigerant oil	oz	VG74 21.8
Outdoor fan motor	Qty		1
	Input	W	150
	RLA	A	0.5
	Speed	r/min	900/450
Outdoor air flow (Max)		CFM	2,235.29
Outdoor noise level (Max)		dB(A)	61
Throttle type			EXV+Throttle valve
Outdoor unit	Dimensions (WxDxH)	inch	37.24x16.14x31.89
	Packing (WxDxH)	inch	42.91x19.69x34.84
	Net/Gross weight	inch	124.78/134.92
Refrigerant	Type		R410A
	Precharge	ft	25
Additional charge for 1/4 inch liquid pipe		oz	
Additional charge for 3/8 inch liquid pipe		oz	0.32
Refrigerant piping	Liquid side/Gas side	inch	3/8"/5/8"
	Max. pipe length	ft	164.04
	Max. difference in level	ft	82.02
Ambient temperature	Cooling	F	-13~122
	Heating	F	-13~75

INDOOR UNIT



Unit Dimensions, in			Mounting Dimensions, in	
A	B	C	D	E
42.1	26.6	9.3	38.7	8.7

CH-ES24-230VO



Dimensions	Width	Depth	Height
Inches	37.24	16.14	31.89