

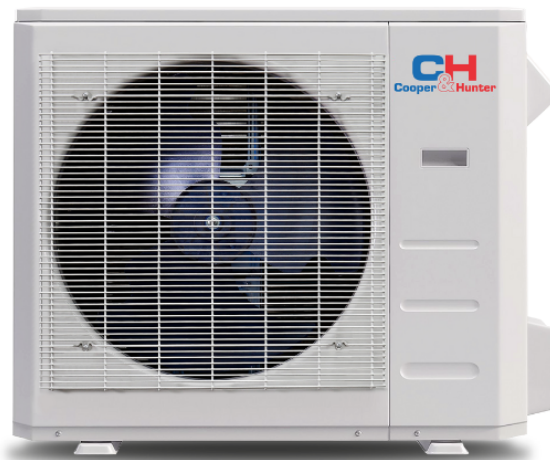
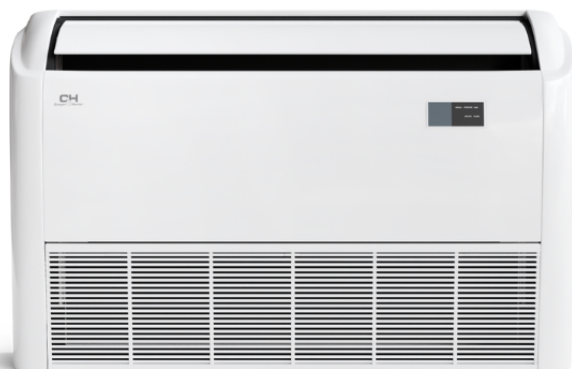
Job Name: _____
Location: _____
Engineer: _____
Submitted to: _____
Submitted by: _____
Reference: _____

Date: _____
Approval: _____
Construction: _____
Unit #: _____
Drawing #: _____

KEY FEATURES:

- MULTIPLE FAN SPEED
- REMOTE CONTROL
- INVERTER TECHNOLOGY
- HIGH-FREQUENCY RACER TECHNOLOGY
- ELECTRONIC EXPANSION VALVE
- INTELLIGENT DUSTING SWITCH

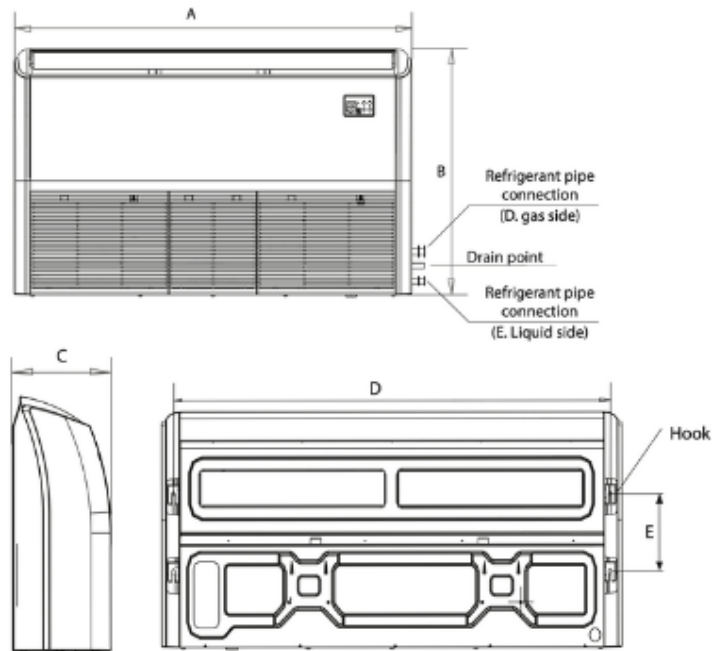
NOTES:



Indoor Model			CH-18MSPHFC-230VI
Power supply		V, Ph, Hz	208-230V, 1Ph, 60Hz
Communication wiring			14AWG*4
Cooling	Capacity	Btu/h	18,000(6,200~18,000)
	Input	W	1,440(230~1,450)
	Rated current	A	6.29(1.86~6.29)
	EER/EER2	Btu/w	12.5
	SEER/SEER2	Btu/w	23
Heating at 47 °F	Capacity	Btu/h	20,000(8,100~20,000)
	Input	W	2,010(480~2,010)
	Rated current	A	8.51(3.3~8.51)
	COP	W/W	2.92
	HSPF4/HSPF2-4		10
	HSPF5/HSPF2-5		7.7
Indoor fan motor		Qty	1
		Input (W)	96
		RLA (A)	1.5
Indoor air flow (Turbo/Hi/Med/Lo) (No duct)		CFM	582.7/548.24/485.29/420.59
ESP (range)		In.wg.	
Indoor noise level (Hi/Med/Lo)		dB(A)	47/43.5/40.5
Dehumidification		Pnt/H	4.54
Indoor unit	Dimensions (WxDxH)	inch	42.05x26.57x9.25
	Packing (WxDxH)	inch	45.08x29.72x12.52
	Net/Gross weight	lbs	57.10/68.34
Drainage water pipe diameter		inch	1"
Refrigerant piping (Liquid side/Gas side)		inch	1/4"/1/2"
Design pressure		PSIG	550/340
Controller			RG10K-exclusive remote&120X or 120N wire controller
Room temperature	Cooling	F	62~90
	Heating	F	32~86

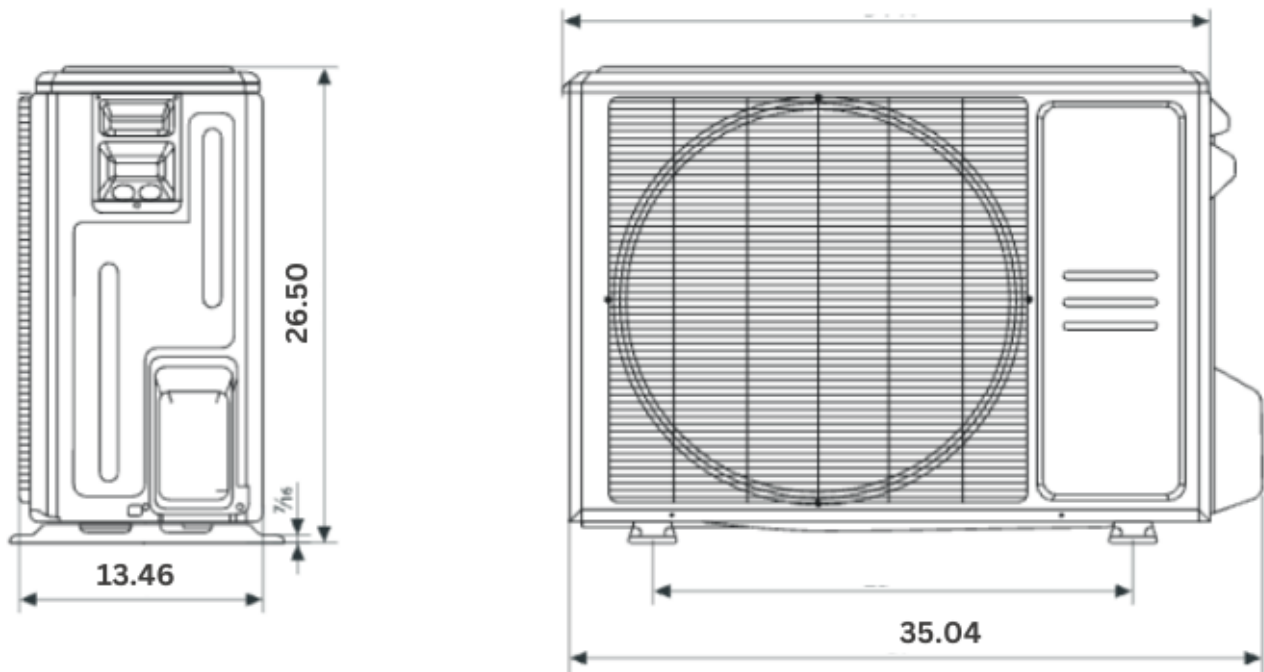
Outdoor Model			CH-ES18-230VO
Power supply		V, Ph, Hz	208-230V, 1Ph, 60Hz
Min. circuit ampacity		A	19
Max. fuse		A	30
Compressor	Model		KSN140D58UFZ
	Type		ROTARY
	Brand		GMCC
	Capacity	Btu/h	14,720
	Input	W	1,090
	Rated current (RLA)	A	12
	Refrigerant oil	oz	VG74 14.9
Outdoor fan motor	Qty		1
	Input	W	80
	RLA	A	0.76
	Speed	r/min	810/720
Outdoor air flow (Max)		CFM	2,058.82
Outdoor noise level (Max)		dB(A)	60
Throttle type			EXV+Throttle valve
Outdoor unit	Dimensions (WxDxH)	inch	35.04x13.46x26.50
	Packing (WxDxH)	inch	39.17x15.67x29.13
	Net/Gross weight	inch	94.36/100.97
Refrigerant	Type		R410A
	Precharge	ft	25
Additional charge for 1/4 inch liquid pipe		oz	0.16
Additional charge for 3/8 inch liquid pipe		oz	
Refrigerant piping	Liquid side/Gas side	inch	1/4"/1/2"
	Max. pipe length	ft	98.42
	Max. difference in level	ft	65.62
Ambient temperature	Cooling	F	-13~122
	Heating	F	-13~75

INDOOR UNIT



Unit Dimensions, in			Mounting Dimensions, in	
A	B	C	D	E
42.1	26.6	9.3	38.7	8.7

CH-ES18-230VO



Dimensions	Width	Depth	Height
Inches	35.04	13.46	26.50