

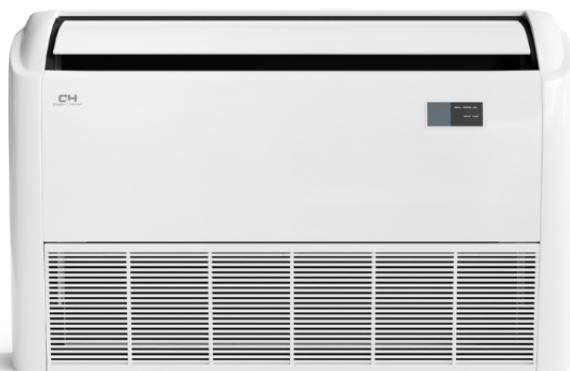
Job Name: _____
Location: _____
Engineer: _____
Submitted to: _____
Submitted by: _____
Reference: _____

Date: _____
Approval: _____
Construction: _____
Unit #: _____
Drawing #: _____

KEY FEATURES:

- MULTIPLE FAN SPEED
- REMOTE CONTROL
- INVERTER TECHNOLOGY
- HIGH-FREQUENCY RACER TECHNOLOGY
- ELECTRONIC EXPANSION VALVE
- INTELLIGENT DUSTING SWITCH

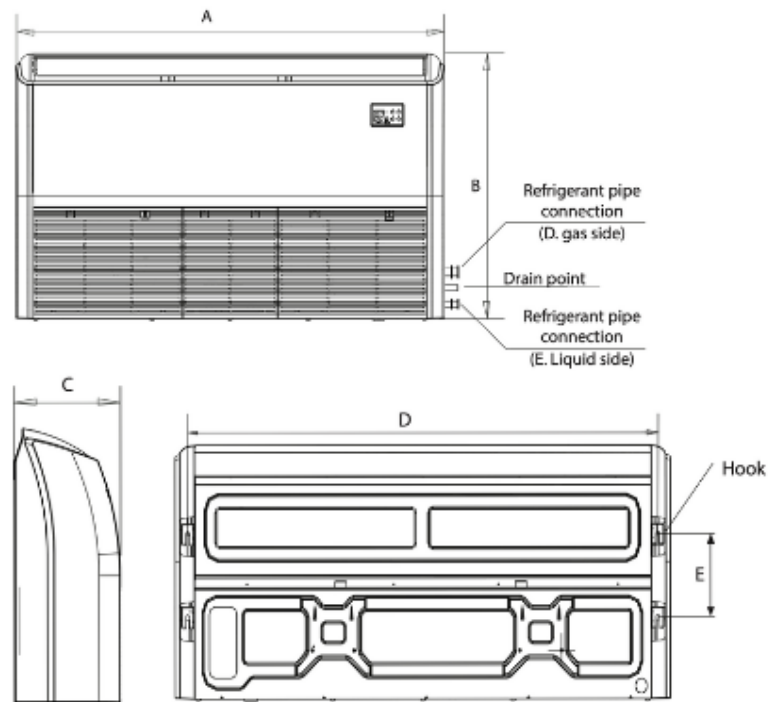
NOTES:



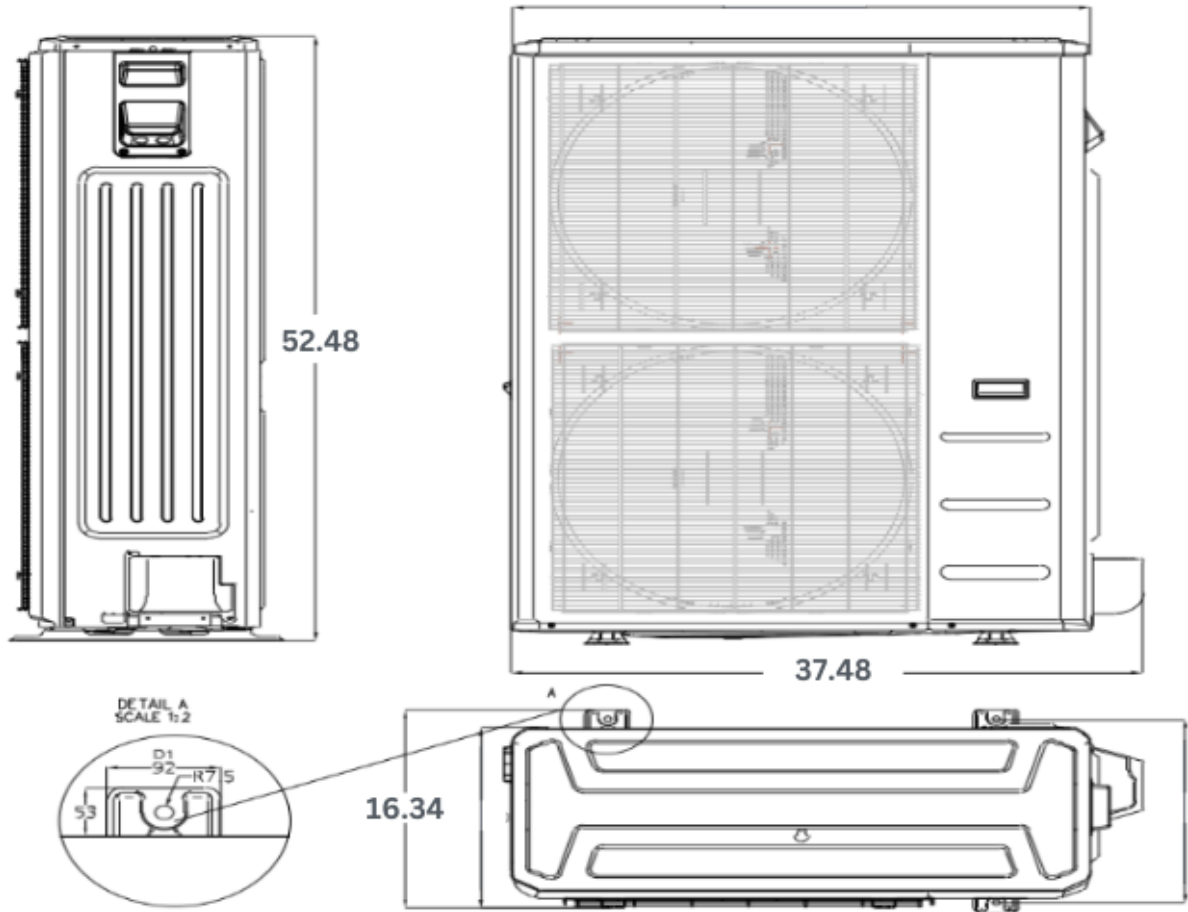
Indoor Model			CH-48LCFC/I
Power supply		V, Ph, Hz	208-230V, 1Ph, 60Hz
Communication wiring			14AWG*2 Stranded, shielded
Cooling	Capacity	Btu/h	48,000(15,861~48,000)
	Input	W	5,170(650~5,170)
	Rated current	A	23.6(4.84~23.6)
	EER/EER2	Btu/w	9.3
	SEER/SEER2	Btu/w	18.9
Heating at 47 °F	Capacity	Btu/h	50,000(12,159~50,000)
	Input	W	5,861(677~5,861)
	Rated current	A	25.5(5.01~25.5)
	COP	W/W	2.5
	HSPF4/HSPF2-4		10
	HSPF5/HSPF2-5		7.5
Indoor fan motor		Qty	1
		Input (W)	192
		RLA (A)	1.8
Indoor air flow (Turbo/Hi/Med/Lo) (No duct)		CFM	1,400/1,352.94/1,117.65/1,000
ESP (range)		In.wg.	
Indoor noise level (Hi/Med/Lo)		dB(A)	55/49.5/44.5
Dehumidification		Pnt/H	12.81
Indoor unit	Dimensions (WxDxH)	inch	64.96x26.57x9.25
	Packing (WxDxH)	inch	67.91x29.72x12.52
	Net/Gross weight	lbs	87.74/102.29
Drainage water pipe diameter		inch	1"
Refrigerant piping (Liquid side/Gas side)		inch	3/8"/5/8"
Design pressure		PSIG	550/340
Controller			RG10K-exclusive remote&120X or 120N wire controller
Room temperature	Cooling	F	62~90
	Heating	F	32~86

Outdoor Model			CH-48LCU/O
Power supply		V, Ph, Hz	208-230V, 1Ph, 60Hz
Min. circuit ampacity		A	36.5
Max. fuse		A	50
Compressor	Model		KTQ420D1UMU
	Type		ROTARY
	Brand		GMCC
	Capacity	Btu/h	46,740
	Input	W	3,700
	Rated current (RLA)	A	28
	Refrigerant oil	oz	VG74 47.3
Outdoor fan motor	Qty		2
	Input	W	126
	RLA	A	1.2
	Speed	r/min	850/750/650/550
Outdoor air flow (Max)		CFM	4,500
Outdoor noise level (Max)		dB(A)	63.5
Throttle type			EXV+Throttle valve
Outdoor unit	Dimensions (WxDxH)	inch	37.48x16.34x52.48
	Packing (WxDxH)	inch	43.11x19.49x58.27
	Net/Gross weight	inch	219.14/249.12
Refrigerant	Type		R410A
	Precharge	ft	25
Additional charge for 1/4 inch liquid pipe		oz	
Additional charge for 3/8 inch liquid pipe		oz	0.32
Refrigerant piping	Liquid side/Gas side	inch	3/8"/5/8"
	Max. pipe length	ft	213.25
	Max. difference in level	ft	98.42
Ambient temperature	Cooling	F	5~122
	Heating	F	5~75

INDOOR UNIT



Unit Dimensions, in			Mounting Dimensions, in	
A	B	C	D	E
64.96	26.57	9.25	61.6	8.7



Dimensions	Width	Depth	Height
Inches	37.48	16.34	52.48