

**Job Name:** \_\_\_\_\_  
**Location:** \_\_\_\_\_  
**Engineer:** \_\_\_\_\_  
**Submitted to:** \_\_\_\_\_  
**Submitted by:** \_\_\_\_\_  
**Reference:** \_\_\_\_\_

**Date:** \_\_\_\_\_  
**Approval:** \_\_\_\_\_  
**Construction:** \_\_\_\_\_  
**Unit #:** \_\_\_\_\_  
**Drawing #:** \_\_\_\_\_



### Performance and efficiency

Cooling		Heating	
23,000(7,500~26,000)		26,000(5,600~29,000)	
SEER2	18.4	COP	3.5
EER2	11.7	HSPF4/HSPF2-4	9.3
		HSPF5/HSPF2-5	7.5

### Operational temperature

Indoor		Outdoor	
Cooling	Heating	Cooling	Heating
60~90	32~86	-22 ~ 122	-22~75



This warranty should be registered on our website [www.cooperandhunter.us](http://www.cooperandhunter.us) within 60 days of installation. The warranty is only valid when installed by a Licensed HVAC Technician. A warranty period of Seven (7) years on compressor to the original registered end-user. A warranty period of Five (5) years on all parts to the original registered end-user. Warranty applies only to products remaining in their original installation location.

### INDOOR UNIT FEATURES:

- ◆ Auto restart function
- ◆ Quiet operation
- ◆ Multiple fan speeds
- ◆ Auxiliary heater
- ◆ Turbo mode
- ◆ Adjustable static pressure
- ◆ Multi position
- ◆ Anti-cold air function
- ◆ Fast cool/heat function
- ◆ Aluminium coil
- ◆ WIFI ready
- ◆ Intelligent air flow
- ◆ Refrigerant leak detect
- ◆ Sleep mode
- ◆ Gold fin

### OUTDOOR UNIT FEATURES:

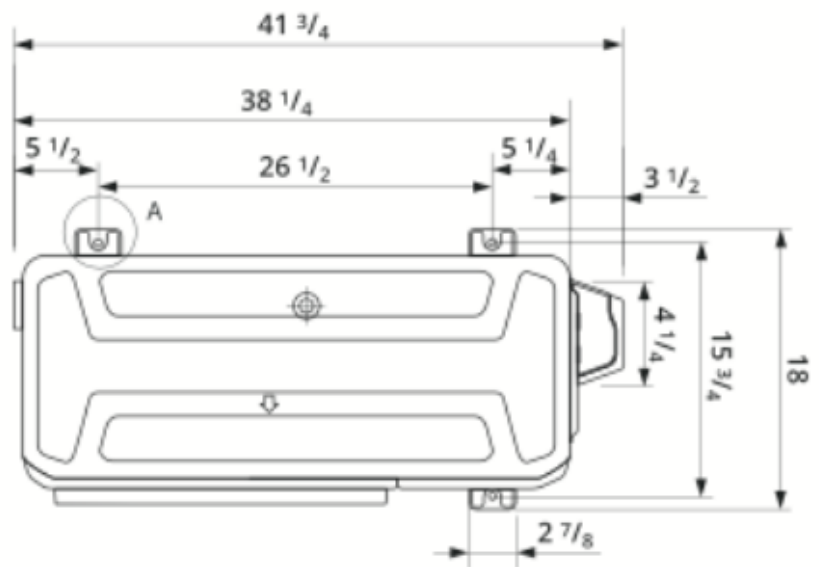
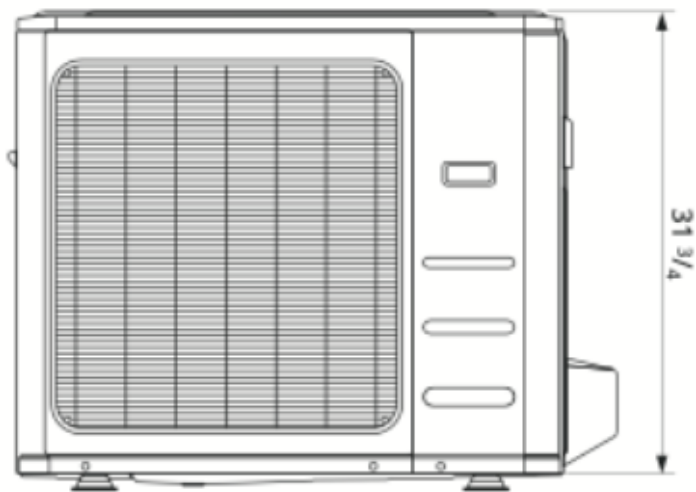
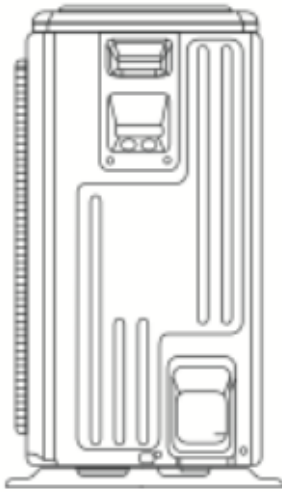
- ◆ Inverter technology
- ◆ Variable speed (fan motor & compressor)
- ◆ Heating operation in temperatures to -13 °F
- ◆ 3-Minute restart delay
- ◆ Self-diagnosis
- ◆ Drain pan heater and compressor heating belt
- ◆ Auto restart function
- ◆ Defrost
- ◆ High-efficiency pipes
- ◆ High-frequency racer technology
- ◆ Intelligent dusting switch
- ◆ Gold fin

### INCLUDED ACCESSORIES:

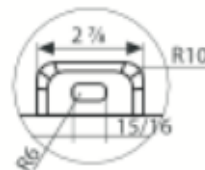
- ◆ Wireless remote
- ◆ Wall thermostat

Indoor Model		CH-HPR24-230VO + CH-M24AHU	
Power supply		V, Ph, Hz	208-230V, 1Ph, 60Hz
Voltage range		V	187-253
Connection wiring			
Cooling	Capacity	Btu/h	23,000(7,500~26,000)
	Input	w	1,965(280~2,600)
	Rated current	A	8.7(2.4~11.5)
	EER/EER2	Btu/w	11.7
	SEER/SEER2	Btu/w	18.4
Heating at 47 °F	Capacity	Btu/h	26,000(5,600~29,000)
	Input	kW	2,180(350~2,600)
	Rated current	A	9.7(2.7~12)
	COP	W/W	3.5
	HSPF4/HSPF2-4	Btu/w	9.3
	HSPF5/HSPF2-5	Btu/w	7.5
Min. circuit ampacity		A	4
Max. fuse		A	15
Indoor fan motor	Qty		1
	Input	w	250
	RLA	A	3
Indoor air flow (Turbo/Hi/Med/Lo) (No duct)		CFM	823.53/758.82/694.12/629.41
ESP	Range	ln.wg.	
Indoor noise level (Hi/Med/Lo)		dB(A)	41/39/38
Dehumidification		pnt/h	
Indoor unit	Dimensions (WxDxH)	in	21.02x17.52x45.00
	Packing (WxDxH)	in	26.57x20.87x48.62
	Net/Gross weight	lbs	106.70/127.21
Drainage water pipe diameter		in	1"
Refrigerant piping	Liquid side/Gas side	in	3/8"/5/8"
Controller			RG10D-standard remote&120X or 120N wire controller
Room temperature	Cooling	F	60~90
	Heating	F	32~86

Outdoor Model		CH-HPR24-230VO	
Power supply	V, Ph, Hz	187-253	
Min. circuit ampacity	A	25	
Max. fuse	A	35	
Compressor	Model	KTM240D43UKT	
	Type	Twin-ROTARY	
	Brand	GMCC	
	Capacity	Btu/h	25,930
	Input	W	2,045
	Refrigerant oil	oz	VG74 21
Outdoor fan motor	Qty	1	
	Input	W	150
	RLA	A	0.5
	Speed	r/min	950/800/500
Outdoor air flow (Max)	CFM	2,235.29	
Outdoor noise level (Max)	dB(A)	62	
Outdoor unit	Dimensions (WxDxH)	in	37.24x16.14x31.89
	Packing (WxDxH)	in	42.91x19.69x34.84
	Net/Gross weight	in	134.48/144.40
Refrigerant	Type/Quantity	oz	R410A
Refrigerant precharge		ft	25
Additional charge for each ft		oz	
Refrigerant piping	Liquid side/Gas side	in	3/8"/5/8"
	Max. pipe length	ft	98.42
	Max. difference in level	ft	65.62
Ambient temperature	Cooling	F	-22 ~ 122
	Heating	F	-22~75



DETAIL A  
SCALE 1:1



Unit: inc

