

Job Name: _____
Location: _____
Engineer: _____
Submitted to: _____
Submitted by: _____
Reference: _____

Date: _____
Approval: _____
Construction: _____
Unit #: _____
Drawing #: _____



Performance and efficiency

Cooling		Heating	
18,000(8,600~20,000)		19,000(9,000~21,000)	
SEER2	17.6	COP	3.39
EER2	11.7	HSPF4/HSPF2-4	9.6
		HSPF5/HSPF2-5	8.1

Operational temperature

Indoor		Outdoor	
Cooling	Heating	Cooling	Heating
60~90	32~86	-22 ~ 122	-22~75



This warranty should be registered on our website www.cooperandhunter.us within 60 days of installation. The warranty is only valid when installed by a Licensed HVAC Technician. A warranty period of Seven (7) years on compressor to the original registered end-user. A warranty period of Five (5) years on all parts to the original registered end-user. Warranty applies only to products remaining in their original installation location.

INDOOR UNIT FEATURES:

- ◆ Auto restart function
- ◆ Quiet operation
- ◆ Multiple fan speeds
- ◆ Auxiliary heater
- ◆ Turbo mode
- ◆ Adjustable static pressure
- ◆ Multi position
- ◆ Anti-cold air function
- ◆ Fast cool/heat function
- ◆ Aluminium coil
- ◆ WIFI ready
- ◆ Intelligent air flow
- ◆ Refrigerant leak detect
- ◆ Sleep mode
- ◆ Gold fin

OUTDOOR UNIT FEATURES:

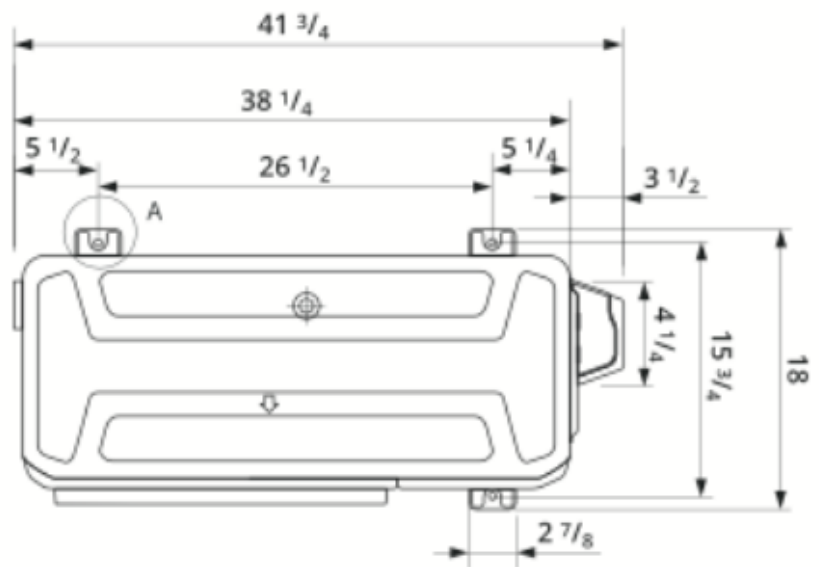
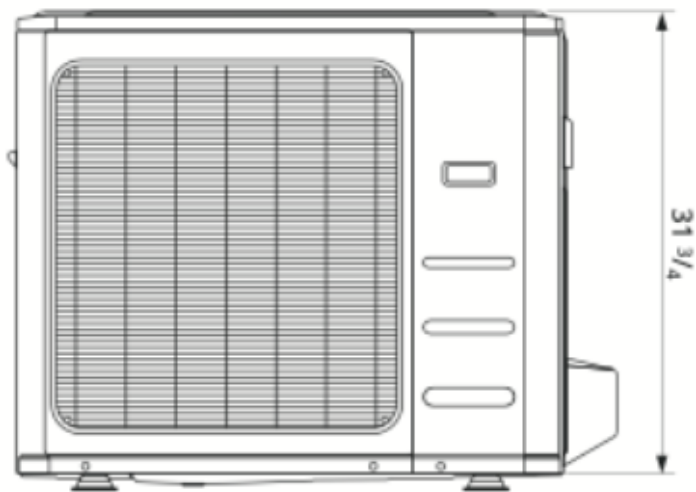
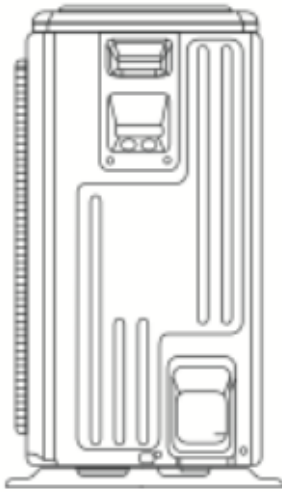
- ◆ Inverter technology
- ◆ Variable speed (fan motor & compressor)
- ◆ Heating operation in temperatures to -13 °F
- ◆ 3-Minute restart delay
- ◆ Self-diagnosis
- ◆ Drain pan heater and compressor heating belt
- ◆ Auto restart function
- ◆ Defrost
- ◆ High-efficiency pipes
- ◆ High-frequency racer technology
- ◆ Intelligent dusting switch
- ◆ Gold fin

INCLUDED ACCESSORIES:

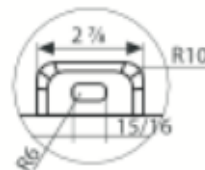
- ◆ Wireless remote
- ◆ Wall thermostat

Indoor Model		CH-HPR18-230VO + CH-M18AHU	
Power supply		V, Ph, Hz	208-230V, 1Ph, 60Hz
Voltage range		V	187-253
Connection wiring			
Cooling	Capacity	Btu/h	18,000(8,600~20,000)
	Input	w	1,538(280~1,900)
	Rated current	A	9.1(1.9~8.5)
	EER/EER2	Btu/w	11.7
	SEER/SEER2	Btu/w	17.6
Heating at 47 °F	Capacity	Btu/h	19,000(9,000~21,000)
	Input	kW	1,643(480~1,920)
	Rated current	A	9.3(2.1~8.5)
	COP	W/W	3.39
	HSPF4/HSPF2-4	Btu/w	9.6
	HSPF5/HSPF2-5	Btu/w	8.1
Min. circuit ampacity		A	3
Max. fuse		A	15
Indoor fan motor	Qty		1
	Input	w	250
	RLA	A	2
Indoor air flow (Turbo/Hi/Med/Lo) (No duct)		CFM	617.65/576.47/529.41/488.24
ESP	Range	ln.wg.	
Indoor noise level (Hi/Med/Lo)		dB(A)	39/37/35
Dehumidification		pnt/h	
Indoor unit	Dimensions (WxDxH)	in	21.02x17.52x45.00
	Packing (WxDxH)	in	26.57x20.87x48.62
	Net/Gross weight	lbs	106.70/127.21
Drainage water pipe diameter		in	1"
Refrigerant piping	Liquid side/Gas side	in	1/4"/1/2"
Controller			RG10D-standard remote&120X or 120N wire controller
Room temperature	Cooling	F	60~90
	Heating	F	32~86

Outdoor Model		CH-HPR18-230VO	
Power supply	V, Ph, Hz	187-253	
Min. circuit ampacity	A	20	
Max. fuse	A	25	
Compressor	Model	KTM240D43UKT	
	Type	Twin-ROTARY	
	Brand	GMCC	
	Capacity	Btu/h	25,930
	Input	W	2,045
	Refrigerant oil	oz	VG74 21
Outdoor fan motor	Qty	1	
	Input	W	85
	RLA	A	0.76
	Speed	r/min	810/720
Outdoor air flow (Max)	CFM	1,764.71	
Outdoor noise level (Max)	dB(A)	59	
Outdoor unit	Dimensions (WxDxH)	in	35.04x13.46x26.50
	Packing (WxDxH)	in	39.17x15.67x29.13
	Net/Gross weight	in	100.97/108.03
Refrigerant	Type/Quantity	oz	R410A
Refrigerant precharge		ft	25
Additional charge for each ft		oz	
Refrigerant piping	Liquid side/Gas side	in	1/4"/1/2"
	Max. pipe length	ft	98.42
	Max. difference in level	ft	65.62
Ambient temperature	Cooling	F	-22 ~ 122
	Heating	F	-22~75



DETAIL A
SCALE 1:1



Unit: inc

