

Job Name: _____
Location: _____
Engineer: _____
Submitted to: _____
Submitted by: _____
Reference: _____

Date: _____
Approval: _____
Construction: _____
Unit #: _____
Drawing #: _____



Performance and efficiency

Cooling		Heating	
36,000(9,800~41,000)		38,000(9,200~43,000)	
SEER2	15.4	COP	3.1
EER2	8.2	HSPF4/HSPF2-4	9
		HSPF5/HSPF2-5	7

Operational temperature

Indoor		Outdoor	
Cooling	Heating	Cooling	Heating
60~90	32~86	5~122	-13~75



This warranty should be registered on our website www.cooperandhunter.us within 60 days of installation. The warranty is only valid when installed by a Licensed HVAC Technician. A warranty period of Seven (7) years on compressor to the original registered end-user. A warranty period of Five (5) years on all parts to the original registered end-user. Warranty applies only to products remaining in their original installation location.

INDOOR UNIT FEATURES:

- ◆ Auto restart function
- ◆ Quiet operation
- ◆ Multiple fan speeds
- ◆ Auxiliary heater
- ◆ Turbo mode
- ◆ Adjustable static pressure
- ◆ Multi position
- ◆ Anti-cold air function
- ◆ Fast cool/heat function
- ◆ Aluminium coil
- ◆ WIFI ready
- ◆ Intelligent air flow
- ◆ Refrigerant leak detect
- ◆ Sleep mode
- ◆ Gold fin

OUTDOOR UNIT FEATURES:

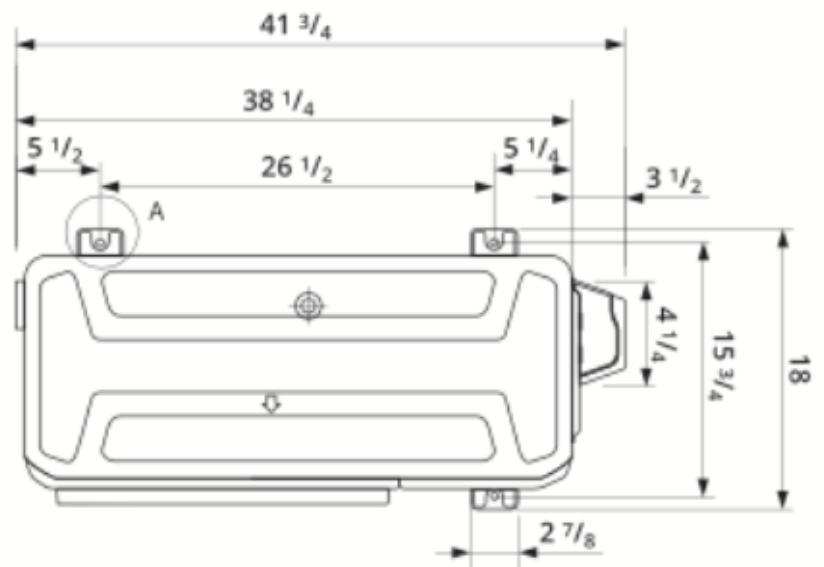
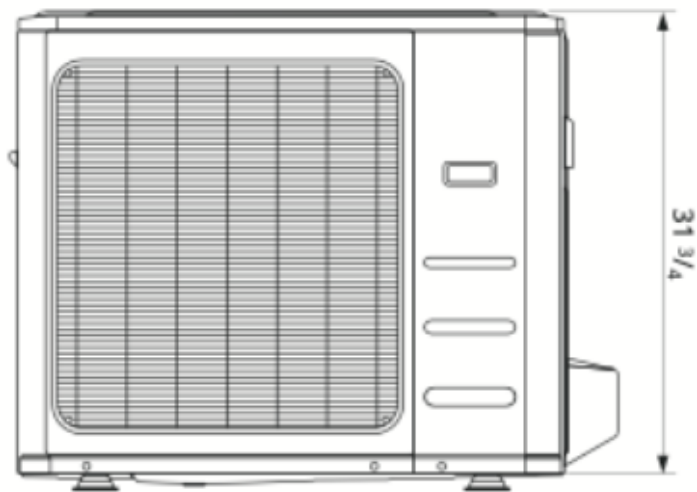
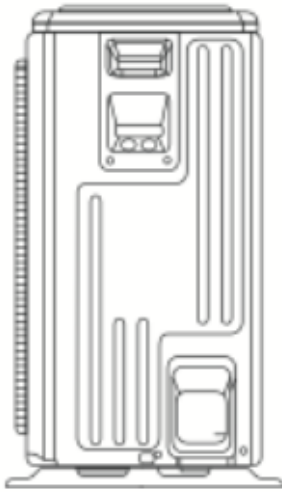
- ◆ Inverter technology
- ◆ Variable speed (fan motor & compressor)
- ◆ Heating operation in temperatures to -13 °F
- ◆ 3-Minute restart delay
- ◆ Self-diagnosis
- ◆ Drain pan heater and compressor heating belt
- ◆ Auto restart function
- ◆ Defrost
- ◆ High-efficiency pipes
- ◆ High-frequency racer technology
- ◆ Intelligent dusting switch
- ◆ Gold fin

INCLUDED ACCESSORIES:

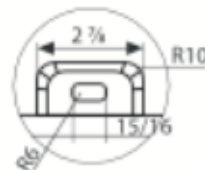
- ◆ Wireless remote
- ◆ Wall thermostat

Indoor Model		CH-N36LCU-230VO + CH-36AHU	
Power supply		V, Ph, Hz	208-230V, 1Ph, 60Hz
Voltage range		V	187-253
Connection wiring			
Cooling	Capacity	Btu/h	36,000(9,800~41,000)
	Input	w	4,400(900~4,450)
	Rated current	A	19.8(4.8~20.3)
	EER/EER2	Btu/w	8.2
	SEER/SEER2	Btu/w	15.4
Heating at 47 °F	Capacity	Btu/h	38,000(9,200~43,000)
	Input	kW	3,590(820~3,600)
	Rated current	A	16.3(4.0~16.3)
	COP	W/W	3.1
	HSPF4/HSPF2-4	Btu/w	9
	HSPF5/HSPF2-5	Btu/w	7
Min. circuit ampacity		A	5
Max. fuse		A	15
Indoor fan motor	Qty		1
	Input	w	375
	RLA	A	4
Indoor air flow (Turbo/Hi/Med/Lo) (No duct)		CFM	1,188.24/1,082.35/970.59/864.71
ESP	Range	ln.wg.	
Indoor noise level (Hi/Med/Lo)		dB(A)	47.5/42.5/40.5
Dehumidification		pnt/h	
Indoor unit	Dimensions (WxDxH)	in	21.02x21.02x49.02
	Packing (WxDxH)	in	26.57x24.41x52.56
	Net/Gross weight	lbs	129.63/153
Drainage water pipe diameter		in	1"
Refrigerant piping	Liquid side/Gas side	in	3/8"/5/8"
Controller			RG10D-standard remote&120X or 120N wire controller
Room temperature	Cooling	F	60~90
	Heating	F	32~86

Outdoor Model		CH-N36LCU-230VO	
Power supply	V, Ph, Hz	187-253	
Min. circuit ampacity	A	30	
Max. fuse	A	45	
Compressor	Model	KTF310D43UMT	
	Type	ROTARY	
	Brand	GMCC	
	Capacity	Btu/h	34,150
	Input	W	2.765
	Refrigerant oil	oz	VG74 33.8
Outdoor fan motor	Qty	1	
	Input	W	150
	RLA	A	1.35
	Speed	r/min	950/800/500
Outdoor air flow (Max)	CFM	3,000	
Outdoor noise level (Max)	dB(A)	61.5	
Outdoor unit	Dimensions (WxDxH)	in	37.24x16.14x31.89
	Packing (WxDxH)	in	42.91x19.69x34.84
	Net/Gross weight	in	155.42/166.23
Refrigerant	Type/Quantity	oz	R410A
Refrigerant precharge		ft	25
Additional charge for each ft		oz	
Refrigerant piping	Liquid side/Gas side	in	3/8"/5/8"
	Max. pipe length	ft	213.25
	Max. difference in level	ft	98.42
Ambient temperature	Cooling	F	5~122
	Heating	F	-13~75



DETAIL A
SCALE 1:1



Unit: inc

