

**Job Name:** \_\_\_\_\_  
**Location:** \_\_\_\_\_  
**Engineer:** \_\_\_\_\_  
**Submitted to:** \_\_\_\_\_  
**Submitted by:** \_\_\_\_\_  
**Reference:** \_\_\_\_\_

**Date:** \_\_\_\_\_  
**Approval:** \_\_\_\_\_  
**Construction:** \_\_\_\_\_  
**Unit #:** \_\_\_\_\_  
**Drawing #:** \_\_\_\_\_



## Performance and efficiency

Cooling		Heating	
18,000(6,400~19,600)		19,000(5,200~21,000)	
SEER2	17.8	COP	3.55
EER2	11.7	HSPF4/HSPF2-4	9.3
		HSPF5/HSPF2-5	7.3

## Operational temperature

Indoor		Outdoor	
Cooling	Heating	Cooling	Heating
60~90	32~86	-13~122	-13~75



This warranty should be registered on our website [www.cooperandhunter.us](http://www.cooperandhunter.us) within 60 days of installation. The warranty is only valid when installed by a Licensed HVAC Technician. A warranty period of Seven (7) years on compressor to the original registered end-user. A warranty period of Five (5) years on all parts to the original registered end-user. Warranty applies only to products remaining in their original installation location.

### INDOOR UNIT FEATURES:

- ◆ Auto restart function
- ◆ Quiet operation
- ◆ Multiple fan speeds
- ◆ Auxiliary heater
- ◆ Turbo mode
- ◆ Adjustable static pressure
- ◆ Multi position
- ◆ Anti-cold air function
- ◆ Fast cool/heat function
- ◆ Aluminium coil
- ◆ WIFI ready
- ◆ Intelligent air flow
- ◆ Refrigerant leak detect
- ◆ Sleep mode
- ◆ Gold fin

### OUTDOOR UNIT FEATURES:

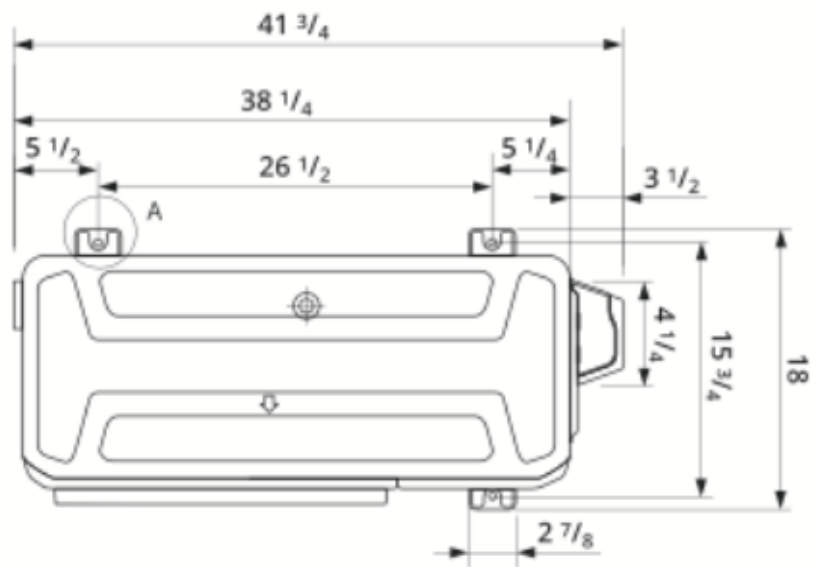
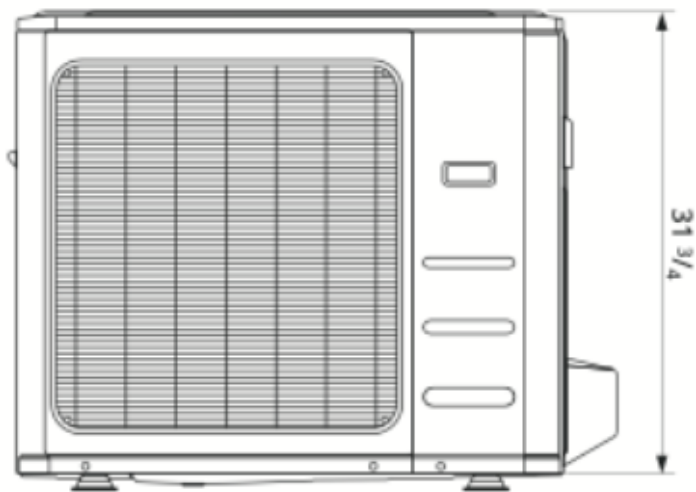
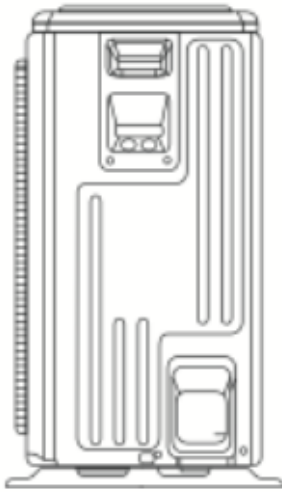
- ◆ Inverter technology
- ◆ Variable speed (fan motor & compressor)
- ◆ Heating operation in temperatures to -13 °F
- ◆ 3-Minute restart delay
- ◆ Self-diagnosis
- ◆ Drain pan heater and compressor heating belt
- ◆ Auto restart function
- ◆ Defrost
- ◆ High-efficiency pipes
- ◆ High-frequency racer technology
- ◆ Intelligent dusting switch
- ◆ Gold fin

### INCLUDED ACCESSORIES:

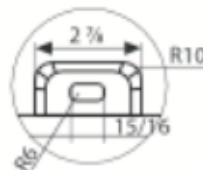
- ◆ Wireless remote
- ◆ Wall thermostat

Indoor Model		CH-ES18-230VO + CH-M18AHU	
Power supply		V, Ph, Hz	208-230V, 1Ph, 60Hz
Voltage range		V	187-253
Connection wiring			
Cooling	Capacity	Btu/h	18,000(6,400~19,600)
	Input	w	1,538(210~1,750)
	Rated current	A	6.6(2~7.6)
	EER/EER2	Btu/w	11.7
	SEER/SEER2	Btu/w	17.8
Heating at 47 °F	Capacity	Btu/h	19,000(5,200~21,000)
	Input	kW	1,568(320~1,700)
	Rated current	A	7(3~7.5)
	COP	W/W	3.55
	HSPF4/HSPF2-4	Btu/w	9.3
	HSPF5/HSPF2-5	Btu/w	7.3
Min. circuit ampacity		A	3
Max. fuse		A	15
Indoor fan motor	Qty		1
	Input	w	250
	RLA	A	2
Indoor air flow (Turbo/Hi/Med/Lo) (No duct)		CFM	617.65/576.47/529.41/488.24
ESP	Range	ln.wg.	
Indoor noise level (Hi/Med/Lo)		dB(A)	36.5/33/31.5
Dehumidification		pnt/h	
Indoor unit	Dimensions (WxDxH)	in	21.02x17.52x45.00
	Packing (WxDxH)	in	26.57x20.87x48.62
	Net/Gross weight	lbs	106.70/127.21
Drainage water pipe diameter		in	1"
Refrigerant piping	Liquid side/Gas side	in	1/4"/1/2"
Controller			RG10D-standard remote&120X or 120N wire controller
Room temperature	Cooling	F	60~90
	Heating	F	32~86

Outdoor Model		CH-ES18-230VO	
Power supply	V, Ph, Hz	187-253	
Min. circuit ampacity	A	19	
Max. fuse	A	30	
Compressor	Model	KSN140D58UFZ	
	Type	ROTARY	
	Brand	GMCC	
	Capacity	Btu/h	14,720
	Input	W	1,090
	Refrigerant oil	oz	VG74 14.9
Outdoor fan motor	Qty	1	
	Input	W	85
	RLA	A	0.76
	Speed	r/min	810/720
Outdoor air flow (Max)	CFM	2,058.82	
Outdoor noise level (Max)	dB(A)	57	
Outdoor unit	Dimensions (WxDxH)	in	35.04x13.46x26.50
	Packing (WxDxH)	in	39.17x15.67x29.13
	Net/Gross weight	in	94.36/100.97
Refrigerant	Type/Quantity	oz	R410A
Refrigerant precharge		ft	25
Additional charge for each ft		oz	
Refrigerant piping	Liquid side/Gas side	in	1/4"/1/2"
	Max. pipe length	ft	98.42
	Max. difference in level	ft	65.62
Ambient temperature	Cooling	F	-13~122
	Heating	F	-13~75



**DETAIL A**  
**SCALE 1:1**



Unit: inc

