

**Job Name:** \_\_\_\_\_

**Location:** \_\_\_\_\_

**Engineer:** \_\_\_\_\_

**Submitted to:** \_\_\_\_\_

**Submitted by:** \_\_\_\_\_

**Reference:** \_\_\_\_\_

**Date:** \_\_\_\_\_

**Approval:** \_\_\_\_\_

**Construction:** \_\_\_\_\_

**Unit #:** \_\_\_\_\_

**Drawing #:** \_\_\_\_\_

## KEY FEATURES:

- Two-way Draining Connection
- Activated Carbon Filter
- GoldFin Anti-Corrosive Coating
- Omni-Directional Airflow
- 12 Indoor Fan Speeds
- Refrigerant Leakage Detection
- Self Diagnosis Function
- Fresh Air Intake

## NOTES:

\_\_\_\_\_

\_\_\_\_\_

\_\_\_\_\_

\_\_\_\_\_

\_\_\_\_\_



## CEILING CASSETTE

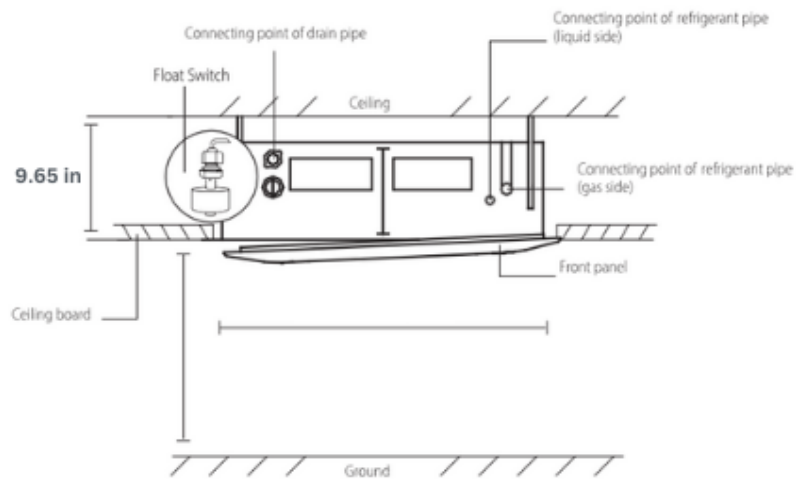
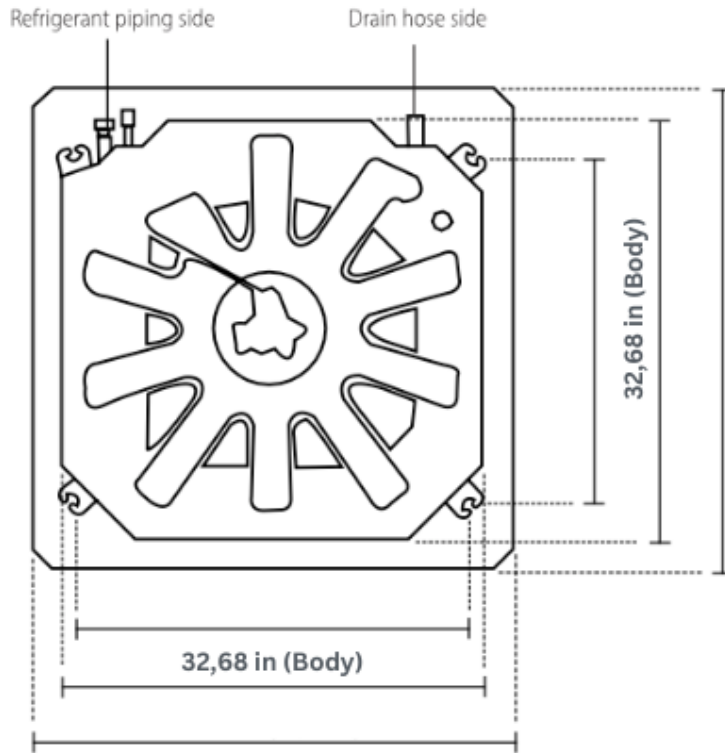


Indoor Model			CH-48LCCT-230VI
Power supply		V, Ph, Hz	208-230V, 1Ph, 60Hz
Communication wiring			14AWG*2 Stranded, shielded
Cooling	Capacity	Btu/h	48,000(16,600~48,000)
	Input	w	5,050(650~5,050)
	Rated current	A	23.1(4.35~23.1)
	EER/EER2	Btu/w	9.5
	SEER/SEER2	Btu/w	16.8
Heating at 47 °F	Capacity	Btu/h	50,000(11,850~52,000)
	Input	W	4,730(660~5,200)
	Rated current	A	21.5(4.61~22.82)
	COP	W/W	3.1
	HSPF4/HSPF2-4		9.8
	HSPF5/HSPF2-5		7.5
Indoor fan motor		Qty	1
		Input	157
		RLA	1.5
Indoor air flow (Turbo/Hi/Med/Lo) (No duct)		CFM	1,288.24/1,170.59/1,058.82/935.29
ESP (range)		In.wg.	
Indoor noise level (Hi/Med/Lo)		dB(A)	55/53/50
Dehumidification		L/H	11.98
Indoor unit	Dimensions (WxDxH)	inch	32.68x32.68x11.30
	Packing (WxDxH)	inch	35.83x35.83x12.99
	Net/Gross weight	lbs	64.59/74.07
Drainage water pipe diameter		inch	1"
Refrigerant piping (Liquid side/Gas side)		inch	3/8"/5/8"
Design pressure		PSIG	550/340
Controller			RG10K-exclusive remote&120X or 120N wire controller
Room temperature	Cooling	F	60~90
	Heating	F	32~86

Outdoor Model			CH-48LCU-230VO
Power supply		V, Ph, Hz	208-230V, 1Ph, 60Hz
Min. circuit ampacity		A	39
Max. fuse		A	50
Compressor	Model		KTQ420D1UMU
	Type		ROTARY
	Brand		GMCC
	Capacity	Btu/h	46,740
	Input	w	3,700
	Rated current (RLA)	A	28
	Refrigerant oil	oz	VG74 47.3
Outdoor fan motor	Qty		2
	Input	w	126
	RLA	A	1.2
	Speed	r/min	850/750/650/550
Outdoor air flow (Max)		CFM	4,500
Outdoor noise level (Max)		dB(A)	65
Throttle type			EXV+Throttle valve
Outdoor unit	Dimensions (WxDxH)	inch	37.48x16.34x52.48
	Packing (WxDxH)	inch	43.11x19.49x58.27
	Net/Gross weight	inch	219.14/249.12
Refrigerant	Type		R410A
	Precharge	ft	25
Additional charge for 1/4 inch liquid pipe		oz	
Additional charge for 3/8 inch liquid pipe		oz	0.32
Refrigerant piping	Liquid side/Gas side	inch	3/8"/5/8"
	Max. pipe length	ft	213.25
	Max. difference in level	ft	98.42
Ambient temperature	Cooling	F	5~122
	Heating	F	5~75

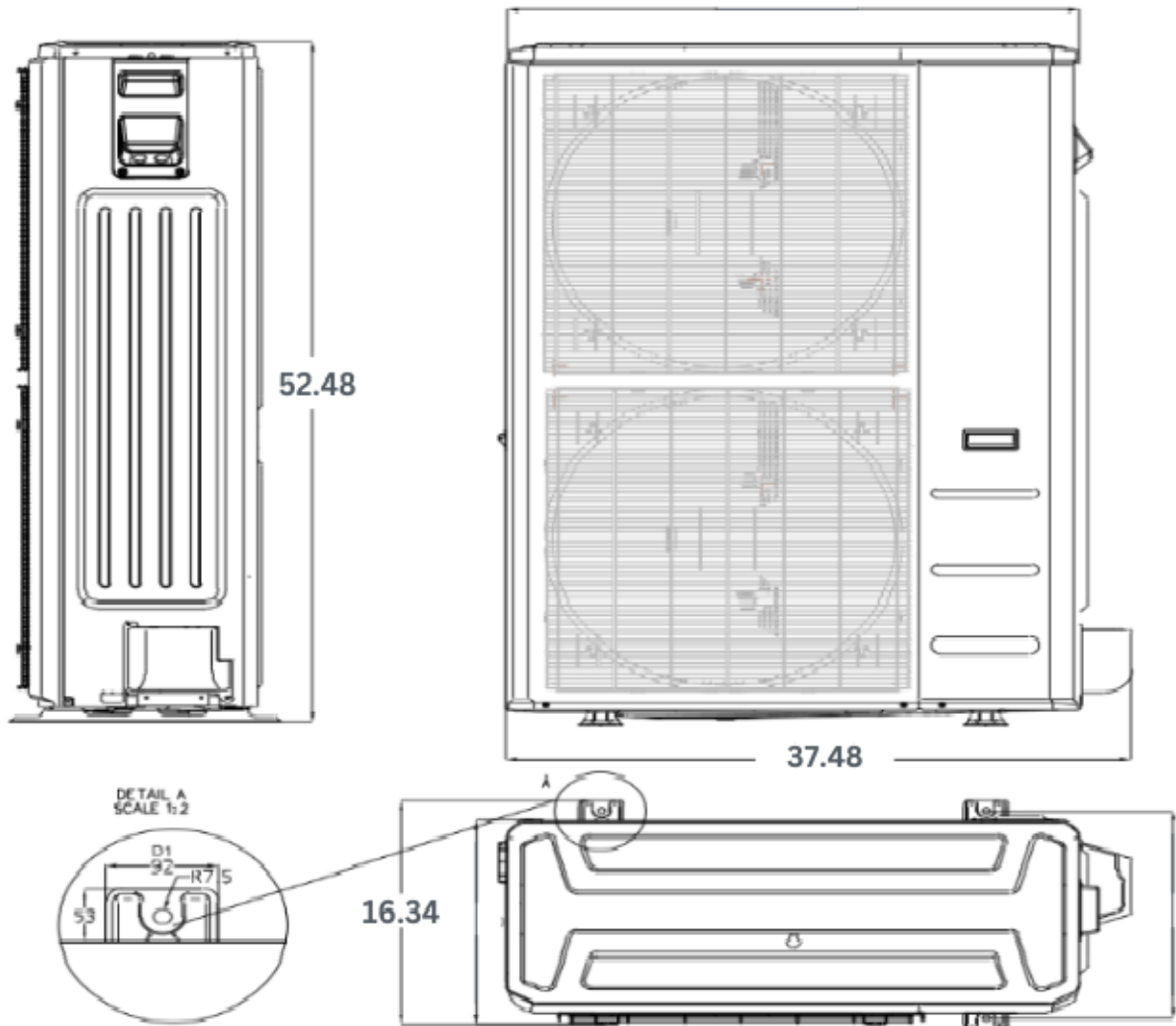
**CH-48LCCT-230VI**

**CEILING CASSETTE**



**32.68x32.68x9.65**

**CH-48LCU-230VO**



Dimensions	Width	Depth	Height
Inches	37.48	16.34	52.48