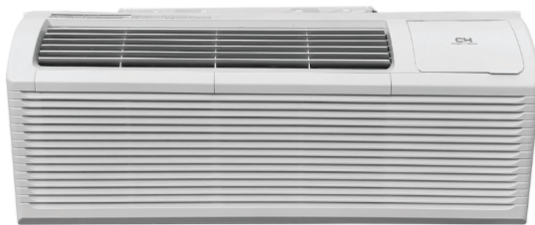


Job Name: _____
Location: _____
Engineer: _____
Submitted to: _____
Submitted by: _____
Reference: _____

Date: _____
Approval: _____
Construction: _____
Unit #: _____
Drawing #: _____

PTAC



KEY FEATURES:

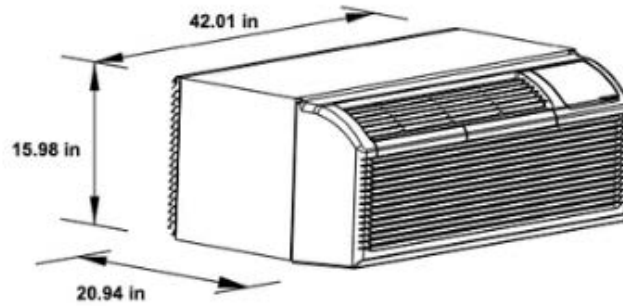
- All in one System.
- SmartKit Built In.
- Compatible with Universal 24V Wire Thermostat.
- Turbo Mode.
- 3 Speed Levels.



Model		CH-PT12HPGF	
Power supply		V, Ph, Hz	208/230V,1Ph,60Hz
Cooling	Capacity	Btu/h	12,000/11,800
	EER/EER2	Btu/w	10.5
	Input	W	1,142/1,124
	Rated current	A	5.0/5.4
Heating (PTC)	Capacity	Btu/h	10,900/8,900
	Input	kW	3,535/2,900
	Rated current	A	15.3/13.7
Heating (Heat Pump only)	Capacity	Btu/h	10,800/10,500
	Input	kW	990/963
	Rated current	A	4.3/4.6
	COP	W/W	3.20
Compressor	Type		ROTARY
	Capacity	W	3,510/3,560
	Input	W	822/835
	Rated current	A	3.90/3.52
	Locked rotor Amp(LRA)	A	27±10%
	Capacitor	uF	35
	Refrigerant oil/oil charge	oz	RB68 10.1
	Waterproofing class		IP20
Electrical	Plug type		LCDI(6-20P)
	Recommended Circuit Breaker	A	20
Outdoor side fan motor	Input	W	87
	Capacitor	uF	3
Refrigerant	Type		R410a
	Design pressure(145psi=1MPa)(L/H)	psi	300/580
Air flow and noise level	Indoor side air flow(Hi/Lo)	cfm	387/351/309
	Indoor side noise level (Hi/Lo)	dB(A)	52/51
	Outdoor side noise level(Hi)	dB(A)	67
	Fresh air ventelation	cfm	62/60/56
	Dehumidification value	pnt/day	2.9
Dimension	Dimension(W*D*H)	in	42.01x20.94x15.98
	Packing (W*D*H)	in	44.49x24.61x19.29
	Net/Gross weight	lb	116/125.4

PTAC

Dimension of air conditioner



Dimension of sleeve assembly (optional)

