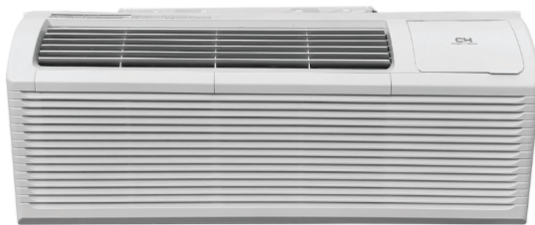


Job Name: _____
Location: _____
Engineer: _____
Submitted to: _____
Submitted by: _____
Reference: _____

Date: _____
Approval: _____
Construction: _____
Unit #: _____
Drawing #: _____

PTAC



KEY FEATURES:

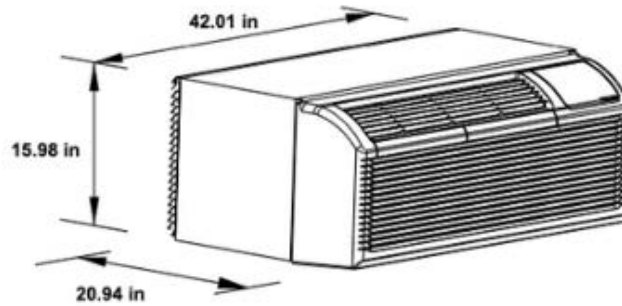
- All in one System.
- SmartKit Built In.
- Compatible with Universal 24V Wire Thermostat.
- Turbo Mode.
- 3 Speed Levels.



Model		CH-PT09HPGF	
Power supply		V, Ph, Hz	208/230V,1Ph,60Hz
Cooling	Capacity	Btu/h	9,000/8,800
	EER/EER2	Btu/w	11.4
	Input	W	796/778
	Rated current	A	3.46/3.75
Heating (PTC)	Capacity	Btu/h	10,900/8,900
	Input	kW	3,535.5/2,897
	Rated current	A	15.3/13.7
Heating (Heat Pump only)	Capacity	Btu/h	8,100/7,900
	Input	kW	700/680
	Rated current	A	3.04/3.28
	COP	W/W	3.40
Compressor	Type		ROTARY
	Capacity	W	2,585/2,600
	Input	W	638/650
	Rated current	A	3.08/2.85
	Locked rotor Amp(LRA)	A	18±10%
	Capacitor	uF	20
	Refrigerant oil/oil charge	oz	VG68 9.5
	Waterproofing class		IP20
Electrical	Plug type		LCDI(6-20P)
	Recommended Circuit Breaker	A	20
Outdoor side fan motor	Input	W	71
	Capacitor	uF	3
Refrigerant	Type		R410a
	Design pressure(145psi=1MPa)(L/H)	psi	300/580
Air flow and noise level	Indoor side air flow(Hi/Lo)	cfm	431/386/333
	Indoor side noise level (Hi/Lo)	dB(A)	50/47
	Outdoor side noise level(Hi)	dB(A)	64
	Fresh air ventelation	cfm	61.1/57.6/50.6
	Dehumidification value	pnt/day	1.1
Dimension	Dimension(W*D*H)	in	42.01x20.94x15.98
	Packing (W*D*H)	in	44.49x24.61x19.29
	Net/Gross weight	lb	102.5/112.9

PTAC

Dimension of air conditioner



Dimension of sleeve assembly (optional)

