

Job Name: _____
Location: _____
Engineer: _____
Submitted to: _____
Submitted by: _____
Reference: _____

Date: _____
Approval: _____
Construction: _____
Unit #: _____
Drawing #: _____

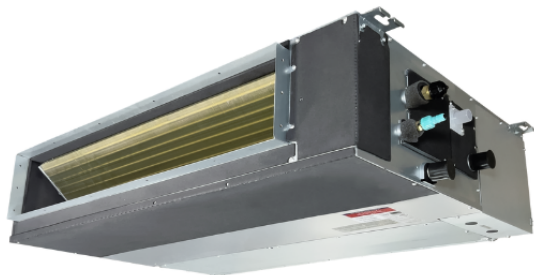
KEY FEATURES:

- Flexible Installation
- Compatible with Regular or Hyper Heat Pump
- SmartPort Ready
- Wall Thermostat Included
- Remote Control Included

NOTES:



Slim Duct

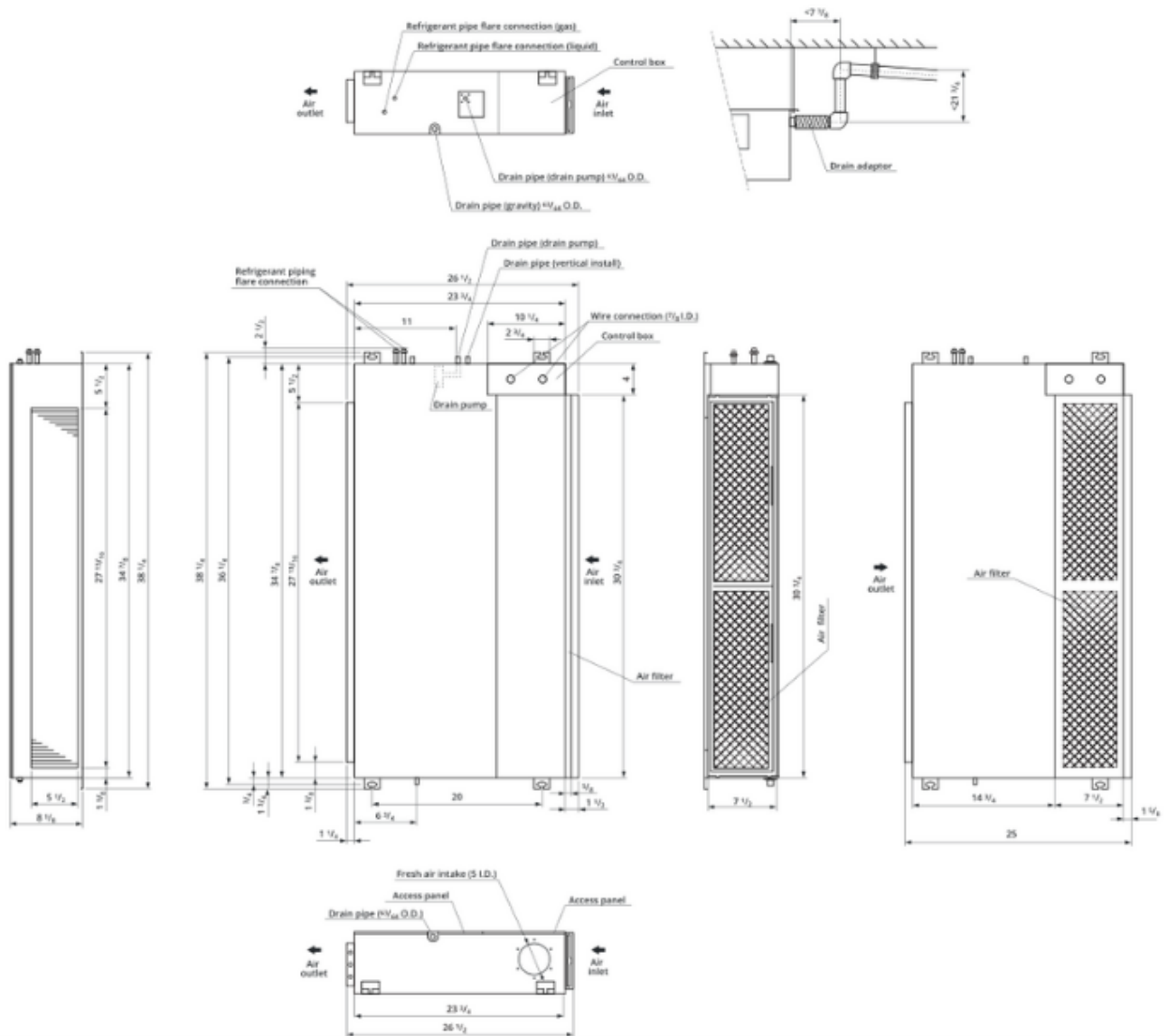


Indoor Model			CH-M18DTUI
Power supply		V, Ph, Hz	208-230V, 1Ph, 60Hz
Communication wiring			14AWG*4
Cooling	Capacity	Btu/h	17,000(6,500~18,800)
	Input	w	1,460(310~1,900)
	Rated current	A	9.32(2.3~8.9)
	EER/EER2	Btu/w	11.7
	SEER/SEER2	Btu/w	18
Heating at 47 °F	Capacity	Btu/h	19,000(8,900~22,000)
	Input	W	1,900(550~2,250)
	Rated current	A	11.50(3.80~12.0)
	COP	W/W	2.93
	HSPF4/HSPF2-4		9.5
	HSPF5/HSPF2-5		7.5
Indoor fan motor		Qty	1
		Input	90
		RLA	1.2
Indoor air flow (Turbo/Hi/Med/Lo) (No duct)		CFM	529.41/529.41/450.00/370.59
ESP (range)		In.wg.	0-0.4
Indoor noise level (Hi/Med/Lo)		dB(A)	40/37.5/35
Dehumidification		L/H	3.38
Indoor unit	Dimensions (WxDxH)	inch	34.65x26.54x8.27
	Packing (WxDxH)	inch	42.13x28.54x11.02
	Net/Gross weight	lbs	55.34/67.02
Drainage water pipe diameter		inch	1"
Refrigerant piping (Liquid side/Gas side)		inch	1/4"/1/2"
Design pressure		PSIG	550/340
Controller			RG10K-exclusive remote&120X or 120N wire controller
Room temperature	Cooling	F	62~90
	Heating	F	32~86

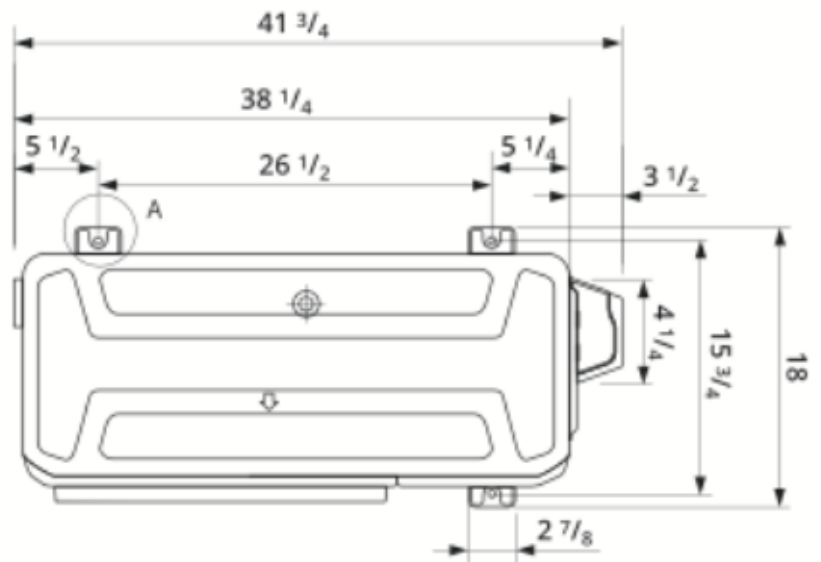
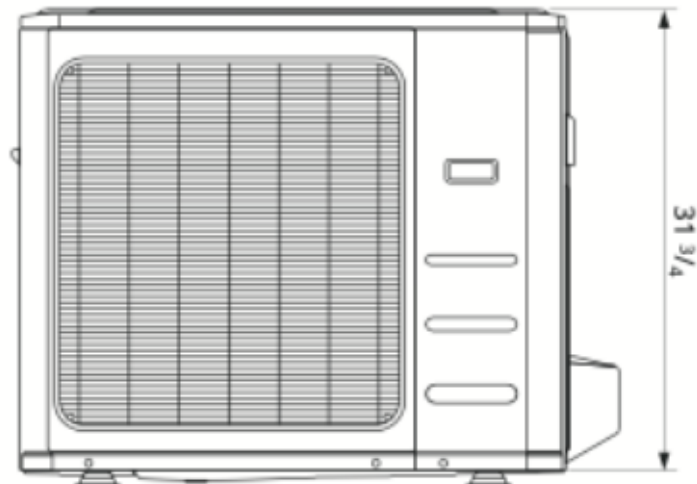
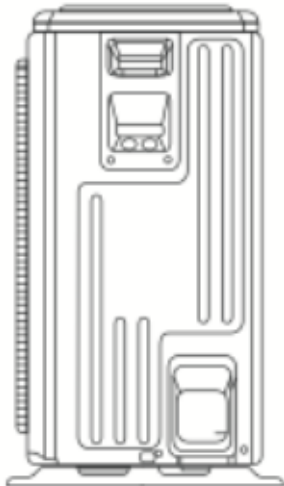
Outdoor Model			CH-HPR18-230VO
Power supply		V, Ph, Hz	208-230V, 1Ph, 60Hz
Min. circuit ampacity		A	20
Max. fuse		A	25
Compressor	Model		KTM240D43UKT
	Type		Twin-ROTARY
	Brand		GMCC
	Capacity	Btu/h	25,930
	Input	w	2,045
	Rated current (RLA)	A	14.25
	Refrigerant oil	oz	VG74 21
Outdoor fan motor	Qty		1
	Input	w	88
	RLA	A	0.76
	Speed	r/min	810/720
Outdoor air flow (Max)		CFM	1,764.71
Outdoor noise level (Max)		dB(A)	59
Throttle type			EXV
Outdoor unit	Dimensions (WxDxH)	inch	35.04x13.46x26.50
	Packing (WxDxH)	inch	39.17x15.67x29.13
	Net/Gross weight	inch	100.97/108.03
Refrigerant	Type		R410A
	Precharge	ft	25
Additional charge for 1/4 inch liquid pipe		oz	0.16
Additional charge for 3/8 inch liquid pipe		oz	
Refrigerant piping	Liquid side/Gas side	inch	1/4"/1/2"
	Max. pipe length	ft	98.42
	Max. difference in level	ft	65.62
Ambient temperature	Cooling	F	-22 ~ 122
	Heating	F	-22 ~ 75

CH-M18DTUI

Unit: inch



34.65x26.54x8.27



**DETAIL A
SCALE 1:1**

