

Job Name: _____
Location: _____
Engineer: _____
Submitted to: _____
Submitted by: _____
Reference: _____

Date: _____
Approval: _____
Construction: _____
Unit #: _____
Drawing #: _____

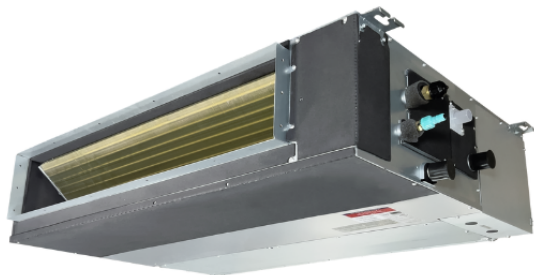
KEY FEATURES:

- Flexible Installation
- Compatible with Regular or Hyper Heat Pump
- SmartPort Ready
- Wall Thermostat Included
- Remote Control Included

NOTES:



Slim Duct

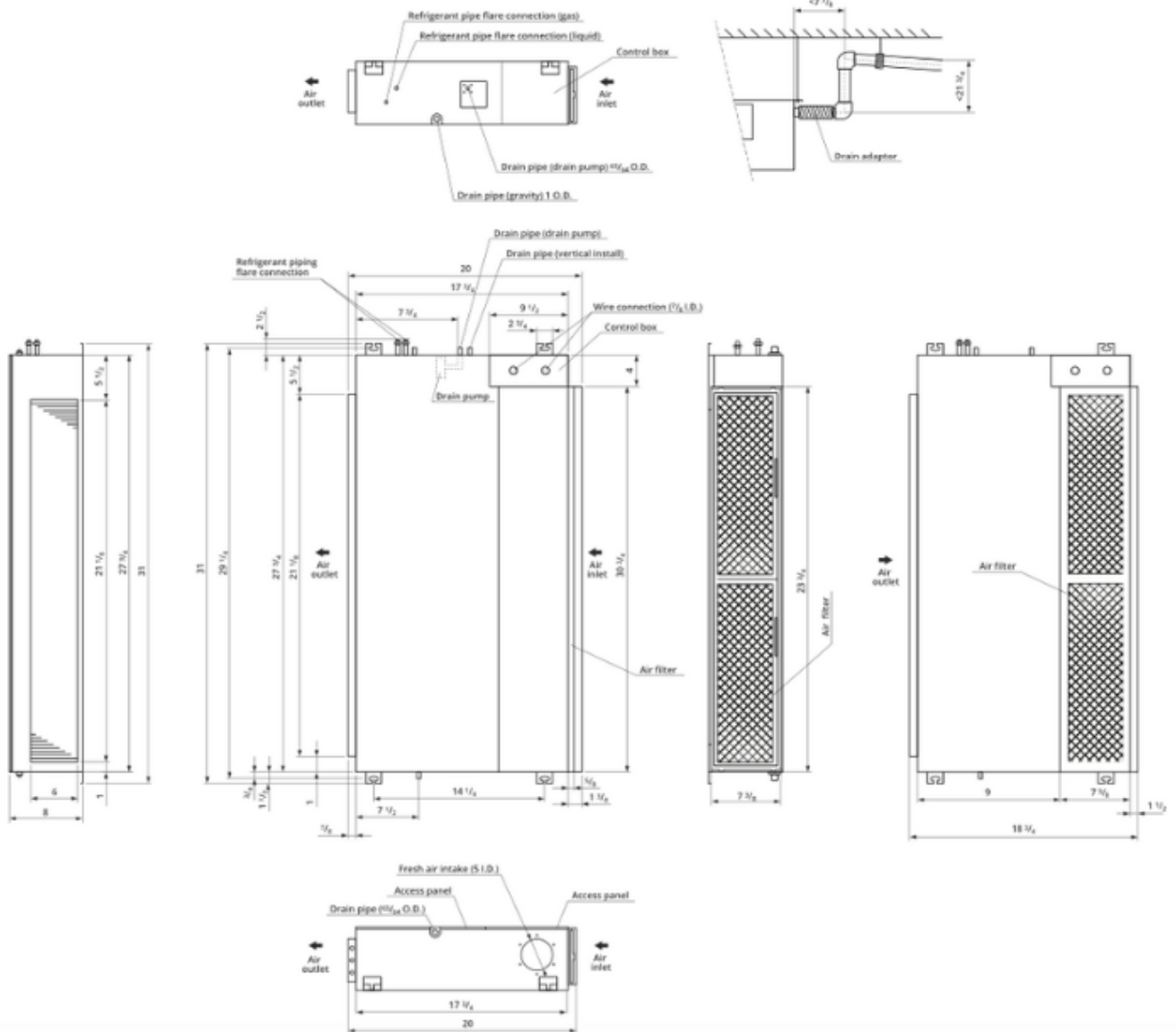


Indoor Model			CH-M09DTUI
Power supply		V, Ph, Hz	208-230V, 1Ph, 60Hz
Communication wiring			14AWG*4
Cooling	Capacity	Btu/h	9,000(2,220~11,600)
	Input	w	720(195~1,002)
	Rated current	A	4.8(1.76~4.47)
	EER/EER2	Btu/w	12.5
	SEER/SEER2	Btu/w	19.2
Heating at 47 °F	Capacity	Btu/h	10,000(2,240~13,350)
	Input	W	810(178~1,163)
	Rated current	A	3.7(1.64~5.17)
	COP	W/W	3.62
	HSPF4/HSPF2-4		10.2
	HSPF5/HSPF2-5		8
Indoor fan motor		Qty	1
		Input	130
		RLA	0.9
Indoor air flow (Turbo/Hi/Med/Lo) (No duct)		CFM	352.94/352.94/282.35/176.47
ESP (range)		In.wg.	0-0.32
Indoor noise level (Hi/Med/Lo)		dB(A)	33.5/28.5/27
Dehumidification		L/H	2.11
Indoor unit	Dimensions (WxDxH)	inch	27.56x19.92x7.87
	Packing (WxDxH)	inch	33.86x21.26x11.22
	Net/Gross weight	lbs	39.02/48.28
Drainage water pipe diameter		inch	1"
Refrigerant piping (Liquid side/Gas side)		inch	1/4"/3/8"
Design pressure		PSIG	550/340
Controller			RG10K-exclusive remote&120X or 120N wire controller
Room temperature	Cooling	F	62~90
	Heating	F	32~86

Outdoor Model			CH-ES09-230VO
Power supply		V, Ph, Hz	208-230V, 1Ph, 60Hz
Min. circuit ampacity		A	13
Max. fuse		A	15
Compressor	Model		KSK103D33UEZ3
	Type		ROTARY
	Brand		GMCC
	Capacity	Btu/h	11,100
	Input	w	826
	Rated current (RLA)	A	6.4
	Refrigerant oil	oz	VG74 10.5
Outdoor fan motor	Qty		1
	Input	w	73
	RLA	A	0.4
	Speed	r/min	800/600
Outdoor air flow (Max)		CFM	1,294.12
Outdoor noise level (Max)		dB(A)	55
Throttle type			EXV
Outdoor unit	Dimensions (WxDxH)	inch	30.12x11.93x21.85
	Packing (WxDxH)	inch	34.92x13.27x24.02
	Net/Gross weight	inch	63.71/69.00
Refrigerant	Type		R410A
	Precharge	ft	25
Additional charge for 1/4 inch liquid pipe		oz	0.16
Additional charge for 3/8 inch liquid pipe		oz	
Refrigerant piping	Liquid side/Gas side	inch	1/4"/3/8"
	Max. pipe length	ft	82.02
	Max. difference in level	ft	32.81
Ambient temperature	Cooling	F	-13~122
	Heating	F	-13~75

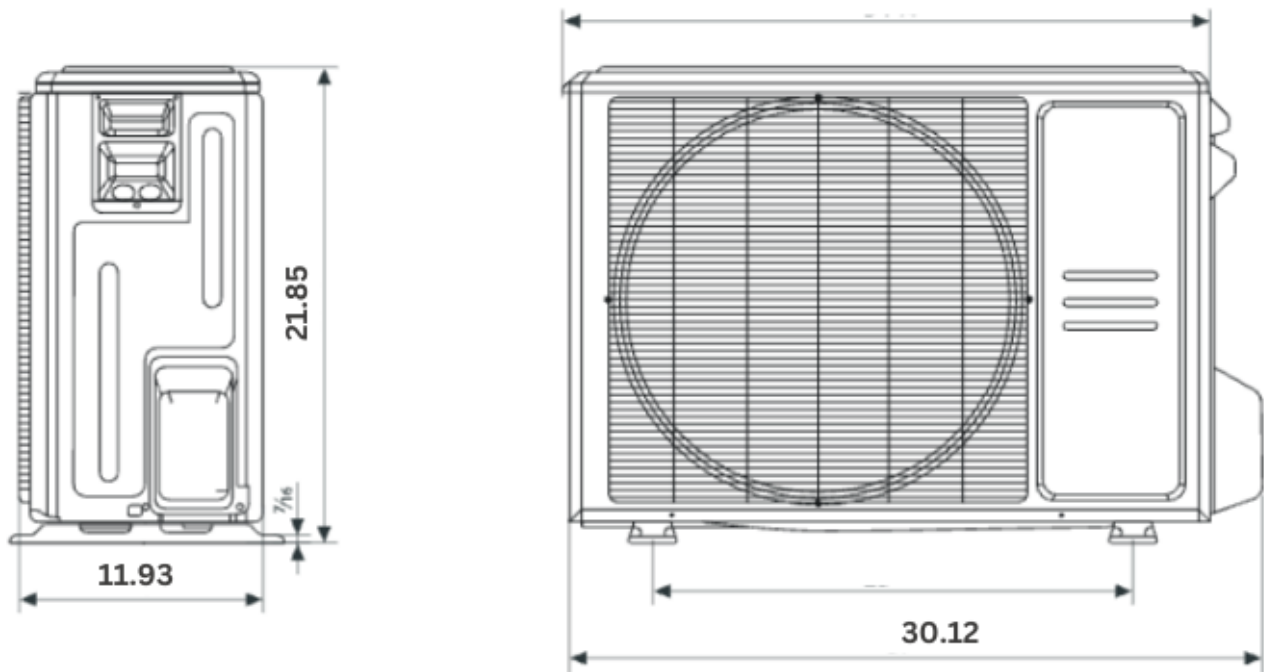
CH-M09DTUI

Unit: inch



27.56x19.92x7.87

CH-ES09-230VO



Dimensions	Width	Depth	Height
Inches	30.12	11.93	21.85