

Job Name: _____
Location: _____
Engineer: _____
Submitted to: _____
Submitted by: _____
Reference: _____

Date: _____
Approval: _____
Construction: _____
Unit #: _____
Drawing #: _____

KEY FEATURES:

- Two-way Draining Connection
- Activated Carbon Filter
- GoldFin Anti-Corrosive Coating
- Omni-Directional Airflow
- 12 Indoor Fan Speeds
- Refrigerant Leakage Detection
- Self Diagnosis Function
- Fresh Air Intake

NOTES:



CEILING CASSETTE

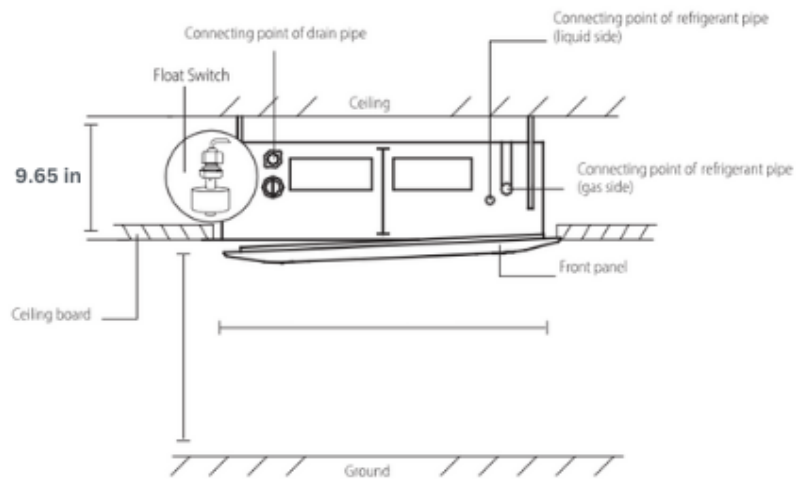
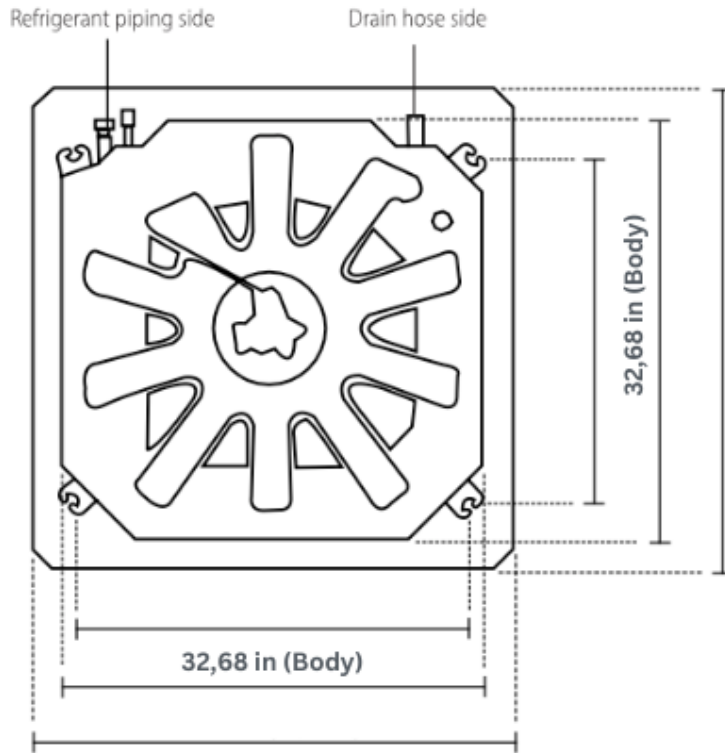


| Indoor Model | | | CH-N36LCCT-230VI |
|---|--------------------|-----------|---|
| Power supply | | V, Ph, Hz | 208-230V, 1Ph, 60Hz |
| Communication wiring | | | 14AWG*2 Stranded, shielded |
| Cooling | Capacity | Btu/h | 36,000(12,400~36,000) |
| | Input | w | 3,830(477~4,000) |
| | Rated current | A | 17.39(3.33~17.39) |
| | EER/EER2 | Btu/w | 9.4 |
| | SEER/SEER2 | Btu/w | 19.2 |
| Heating at 47 °F | Capacity | Btu/h | 38,000(11,200~38,000) |
| | Input | W | 3,500(666~3,700) |
| | Rated current | A | 15.55(3.72~16.93) |
| | COP | W/W | 3.18 |
| | HSPF4/HSPF2-4 | | 8.8 |
| | HSPF5/HSPF2-5 | | 7 |
| Indoor fan motor | | Qty | 1 |
| | | Input | 157 |
| | | RLA | 1 |
| Indoor air flow (Turbo/Hi/Med/Lo) (No duct) | | CFM | 1,041.18/947.06/852.94/752.94 |
| ESP (range) | | In.wg. | |
| Indoor noise level (Hi/Med/Lo) | | dB(A) | 52.5/50/46.5 |
| Dehumidification | | L/H | 9.55 |
| Indoor unit | Dimensions (WxDxH) | inch | 32.68x32.68x9.65 |
| | Packing (WxDxH) | inch | 35.83x35.83x11.42 |
| | Net/Gross weight | lbs | 59.97/69.00 |
| Drainage water pipe diameter | | inch | 1" |
| Refrigerant piping (Liquid side/Gas side) | | inch | 3/8"/5/8" |
| Design pressure | | PSIG | 550/340 |
| Controller | | | RG10K-exclusive remote&120X or 120N wire controller |
| Room temperature | Cooling | F | 60~90 |
| | Heating | F | 32~86 |

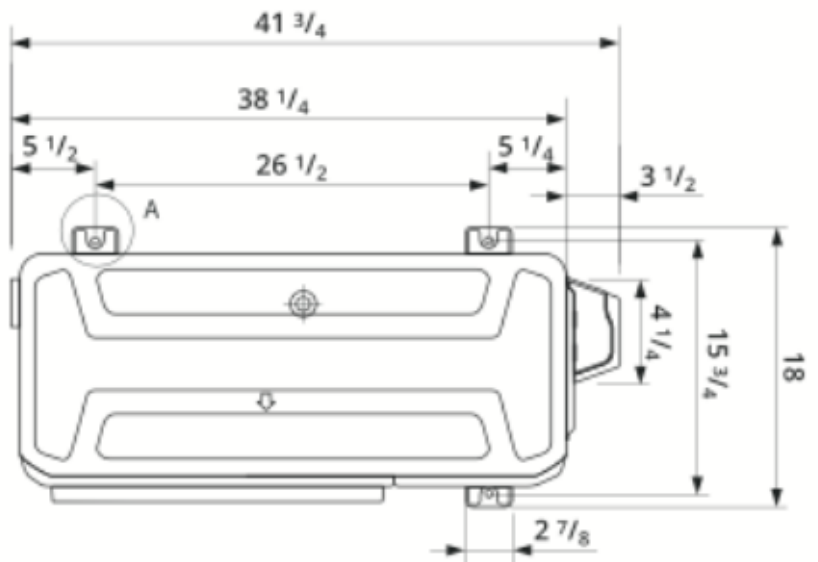
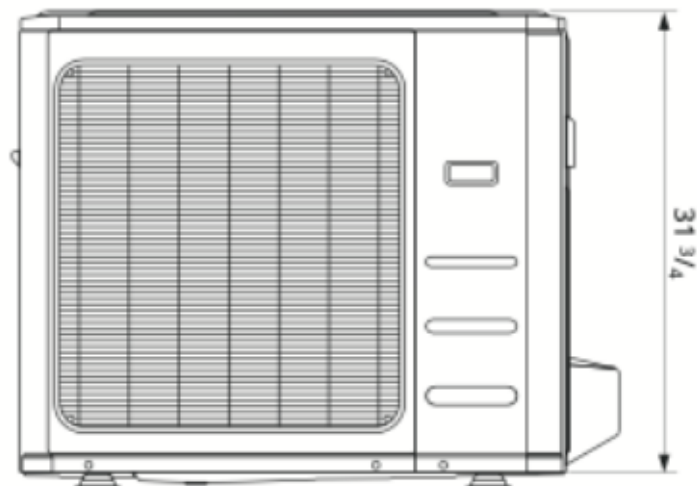
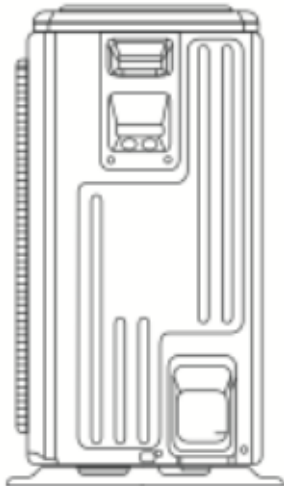
| Outdoor Model | | | CH-N36LCU-230VO |
|--|--------------------------|-----------|---------------------|
| Power supply | | V, Ph, Hz | 208-230V, 1Ph, 60Hz |
| Min. circuit ampacity | | A | 30 |
| Max. fuse | | A | 45 |
| Compressor | Model | | KTF310D43UMT |
| | Type | | ROTARY |
| | Brand | | GMCC |
| | Capacity | Btu/h | 34,150 |
| | Input | w | 2.765 |
| | Rated current (RLA) | A | 23.5 |
| | Refrigerant oil | oz | VG74 33.8 |
| Outdoor fan motor | Qty | | 1 |
| | Input | w | 150 |
| | RLA | A | 1.35 |
| | Speed | r/min | 950/800/500 |
| Outdoor air flow (Max) | | CFM | 3,000 |
| Outdoor noise level (Max) | | dB(A) | 63.5 |
| Throttle type | | | EXV+Throttle valve |
| Outdoor unit | Dimensions (WxDxH) | inch | 37.24x16.14x31.89 |
| | Packing (WxDxH) | inch | 42.91x19.69x34.84 |
| | Net/Gross weight | inch | 155.42/166.23 |
| Refrigerant | Type | | R410A |
| | Precharge | ft | 25 |
| Additional charge for 1/4 inch liquid pipe | | oz | |
| Additional charge for 3/8 inch liquid pipe | | oz | 0.32 |
| Refrigerant piping | Liquid side/Gas side | inch | 3/8"/5/8" |
| | Max. pipe length | ft | 213.25 |
| | Max. difference in level | ft | 98.42 |
| Ambient temperature | Cooling | F | 5~122 |
| | Heating | F | 5~75 |

CH-N36LCCT-230VI

CEILING CASSETTE



32.68x32.68x9.65



**DETAIL A
SCALE 1:1**

