

**Job Name:** \_\_\_\_\_  
**Location:** \_\_\_\_\_  
**Engineer:** \_\_\_\_\_  
**Submitted to:** \_\_\_\_\_  
**Submitted by:** \_\_\_\_\_  
**Reference:** \_\_\_\_\_

**Date:** \_\_\_\_\_  
**Approval:** \_\_\_\_\_  
**Construction:** \_\_\_\_\_  
**Unit #:** \_\_\_\_\_  
**Drawing #:** \_\_\_\_\_

**KEY FEATURES:**

- Two-way Draining Connection
- Activated Carbon Filter
- GoldFin Anti-Corrosive Coating
- Omni-Directional Airflow
- 12 Indoor Fan Speeds
- Refrigerant Leakage Detection
- Self Diagnosis Function
- Fresh Air Intake

NOTES:

\_\_\_\_\_

\_\_\_\_\_

\_\_\_\_\_

\_\_\_\_\_

\_\_\_\_\_



**CEILING CASSETTE**

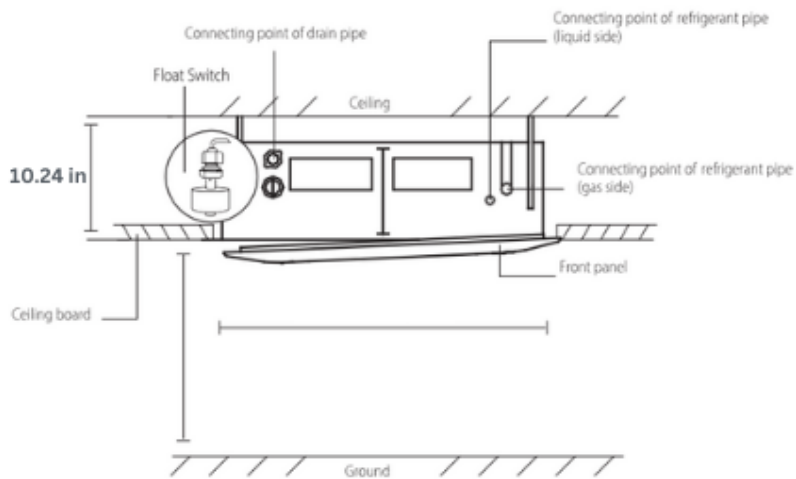
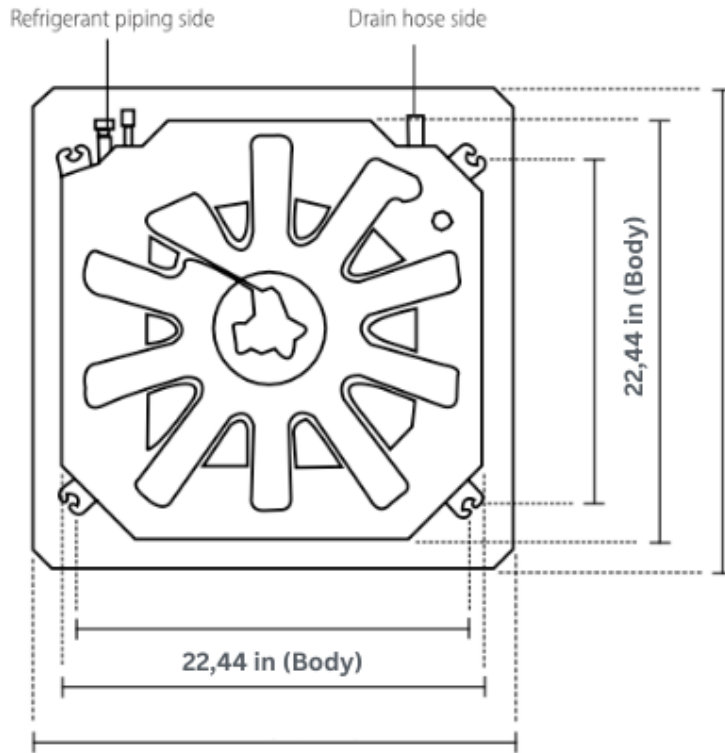


Indoor Model			CH-18MSPHCT-230VI
Power supply		V, Ph, Hz	208-230V, 1Ph, 60Hz
Communication wiring			14AWG*4
Cooling	Capacity	Btu/h	16,000(5,600~16,000)
	Input	w	1,340(230~1,340)
	Rated current	A	6.01(1.90~6.01)
	EER/EER2	Btu/w	12.5
	SEER/SEER2	Btu/w	20.5
Heating at 47 °F	Capacity	Btu/h	19,000(7,700~19,000)
	Input	W	1,950(470~1,950)
	Rated current	A	8.21(3.23~8.21)
	COP	W/W	2.78
	HSPF4/HSPF2-4		10.5
	HSPF5/HSPF2-5		8
Indoor fan motor		Qty	1
		Input	45
		RLA	1.5
Indoor air flow (Turbo/Hi/Med/Lo) (No duct)		CFM	600.3/562.35/485.29/438.82
ESP (range)		In.wg.	
Indoor noise level (Hi/Med/Lo)		dB(A)	46/41.5/39.5
Dehumidification		L/H	4.80
Indoor unit	Dimensions (WxDxH)	inch	22.44x22.44x10.24
	Packing (WxDxH)	inch	26.06x26.06x12.48
	Net/Gross weight	lbs	35.71/46.96
Drainage water pipe diameter		inch	1"
Refrigerant piping (Liquid side/Gas side)		inch	1/4"/1/2"
Design pressure		PSIG	550/340
Controller			RG10K-exclusive remote&120X or 120N wire controller
Room temperature	Cooling	F	62~90
	Heating	F	32~86

Outdoor Model			CH-ES18-230VO
Power supply		V, Ph, Hz	208-230V, 1Ph, 60Hz
Min. circuit ampacity		A	19
Max. fuse		A	30
Compressor	Model		KSN140D58UFZ
	Type		ROTARY
	Brand		GMCC
	Capacity	Btu/h	14,720
	Input	w	1,090
	Rated current (RLA)	A	12
	Refrigerant oil	oz	VG74 14.9
Outdoor fan motor	Qty		1
	Input	w	80
	RLA	A	0.76
	Speed	r/min	810/720
Outdoor air flow (Max)		CFM	2,058.82
Outdoor noise level (Max)		dB(A)	60.5
Throttle type			EXV+Throttle valve
Outdoor unit	Dimensions (WxDxH)	inch	35.04x13.46x26.50
	Packing (WxDxH)	inch	39.17x15.67x29.13
	Net/Gross weight	inch	94.36/100.97
Refrigerant	Type		R410A
	Precharge	ft	25
Additional charge for 1/4 inch liquid pipe		oz	0.16
Additional charge for 3/8 inch liquid pipe		oz	
Refrigerant piping	Liquid side/Gas side	inch	1/4"/1/2"
	Max. pipe length	ft	98.42
	Max. difference in level	ft	65.62
Ambient temperature	Cooling	F	-13~122
	Heating	F	-13~75

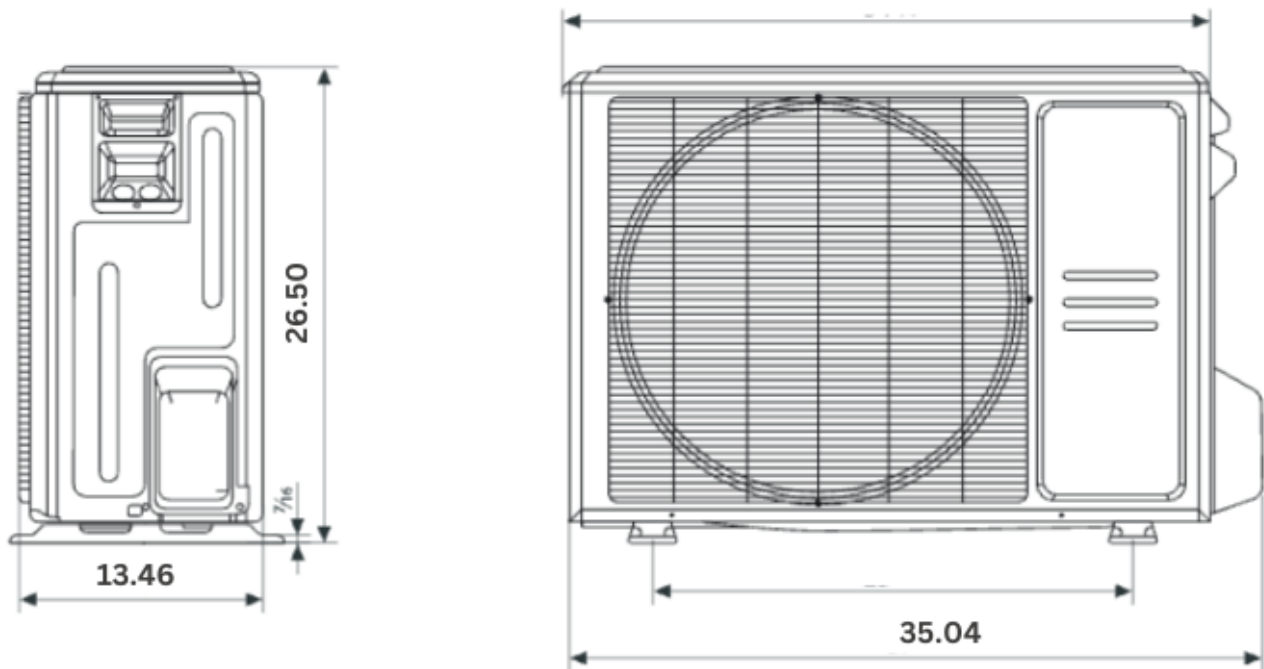
**CH-18MSPHCT-230VI**

**CEILING CASSETTE**



**22.44x22.44x10.24**

**CH-ES18-230VO**



Dimensions	Width	Depth	Height
Inches	35.04	13.46	26.50