

Job Name: _____
Location: _____
Engineer: _____
Submitted to: _____
Submitted by: _____
Reference: _____

Date: _____
Approval: _____
Construction: _____
Unit #: _____
Drawing #: _____

KEY FEATURES:

- Two-way Draining Connection
- Activated Carbon Filter
- GoldFin Anti-Corrosive Coating
- Omni-Directional Airflow
- 12 Indoor Fan Speeds
- Refrigerant Leakage Detection
- Self Diagnosis Function
- Fresh Air Intake

NOTES:



CEILING CASSETTE

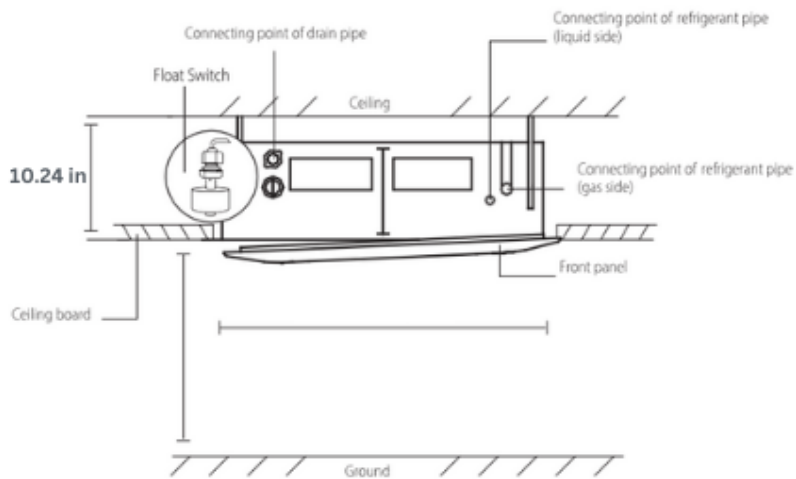
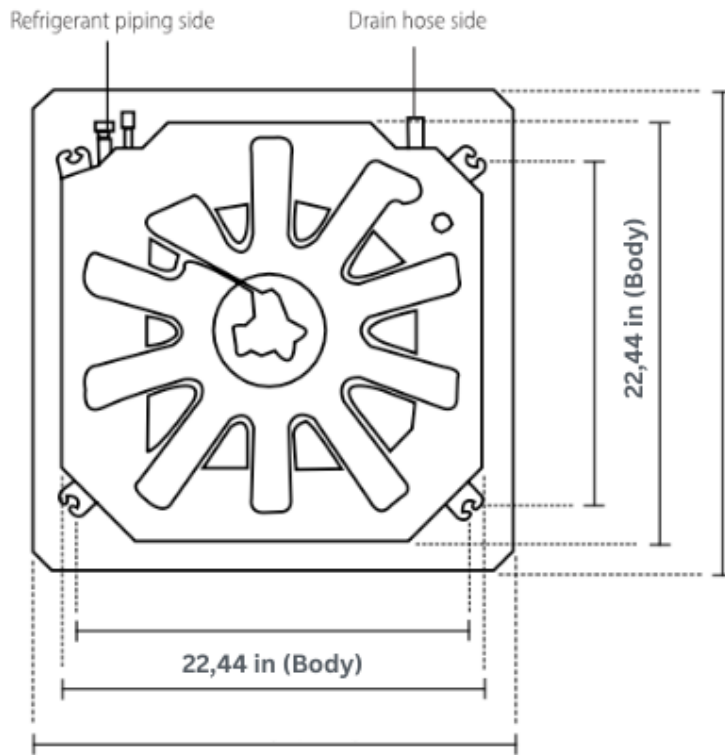


Indoor Model			CH-09MSPHCT-230VI
Power supply		V, Ph, Hz	208-230V, 1Ph, 60Hz
Communication wiring			14AWG*4
Cooling	Capacity	Btu/h	9,000(2,970~10,500)
	Input	w	692(182~968)
	Rated current	A	3.17(1.59~4.31)
	EER/EER2	Btu/w	13
	SEER/SEER2	Btu/w	20
Heating at 47 °F	Capacity	Btu/h	10,000(2,230~11,650)
	Input	W	952(154~1,134)
	Rated current	A	4.16(1.36~5.03)
	COP	W/W	3.08
	HSPF4/HSPF2-4		10
	HSPF5/HSPF2-5		8.2
Indoor fan motor	Qty		1
	Input		45
	RLA		0.9
Indoor air flow (Turbo/Hi/Med/Lo) (No duct)		CFM	388.5/352.94/305.88/270.59
ESP (range)		In.wg.	
Indoor noise level (Hi/Med/Lo)		dB(A)	37.5/34.5/31.5
Dehumidification		L/H	2.11
Indoor unit	Dimensions (WxDxH)	inch	22.44x22.44x10.24
	Packing (WxDxH)	inch	26.06x26.06x12.48
	Net/Gross weight	lbs	31.97/38.14
Drainage water pipe diameter		inch	1"
Refrigerant piping (Liquid side/Gas side)		inch	1/4"/3/8"
Design pressure		PSIG	550/340
Controller			RG10K-exclusive remote&120X or 120N wire controller
Room temperature	Cooling	F	62~90
	Heating	F	32~86

Outdoor Model			CH-ES09-230VO
Power supply		V, Ph, Hz	208-230V, 1Ph, 60Hz
Min. circuit ampacity		A	13
Max. fuse		A	15
Compressor	Model		KSK103D33UEZ3
	Type		ROTARY
	Brand		GMCC
	Capacity	Btu/h	11,100
	Input	w	826
	Rated current (RLA)	A	6.4
	Refrigerant oil	oz	VG74 10.5
Outdoor fan motor	Qty		1
	Input	w	34
	RLA	A	0.4
	Speed	r/min	800/600
Outdoor air flow (Max)		CFM	1,294.12
Outdoor noise level (Max)		dB(A)	53
Throttle type			EXV
Outdoor unit	Dimensions (WxDxH)	inch	30.12x11.93x21.85
	Packing (WxDxH)	inch	34.92x13.27x24.02
	Net/Gross weight	inch	63.71/69.00
Refrigerant	Type		R410A
	Precharge	ft	25
Additional charge for 1/4 inch liquid pipe		oz	0.16
Additional charge for 3/8 inch liquid pipe		oz	
Refrigerant piping	Liquid side/Gas side	inch	1/4"/3/8"
	Max. pipe length	ft	82.02
	Max. difference in level	ft	32.81
Ambient temperature	Cooling	F	-13~122
	Heating	F	-13~75

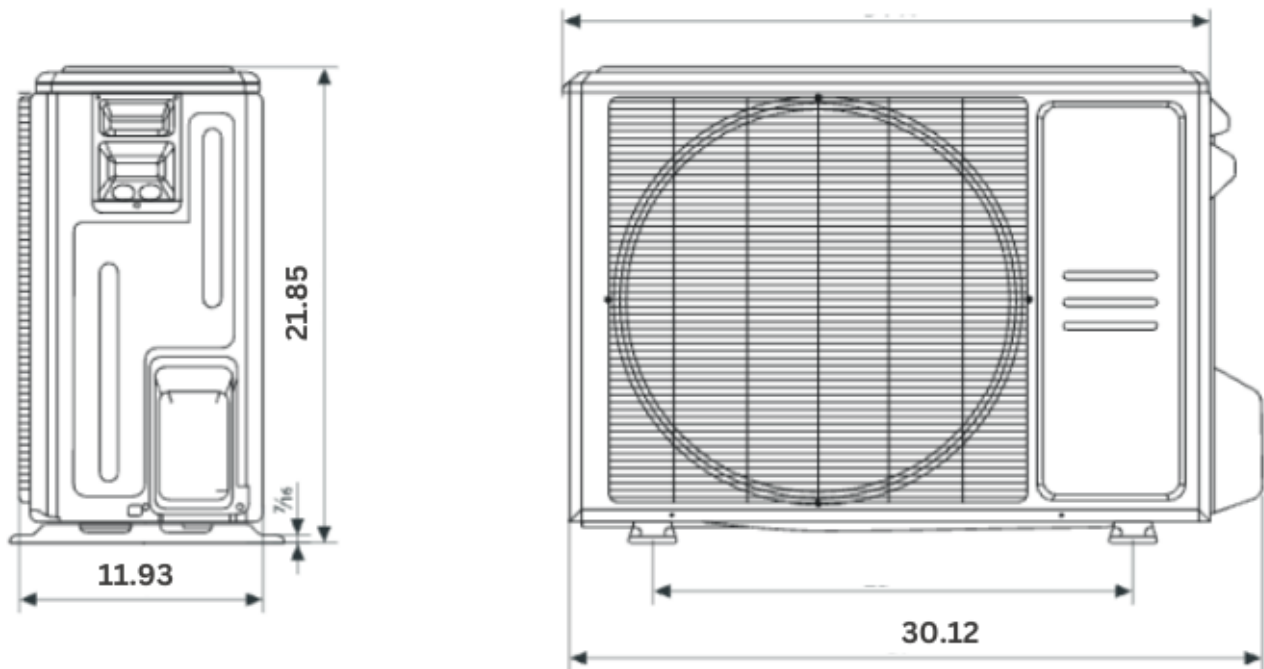
CH-09MSPHCT-230VI

CEILING CASSETTE



22.44x22.44x10.24

CH-ES09-230VO



Dimensions	Width	Depth	Height
Inches	30.12	11.93	21.85