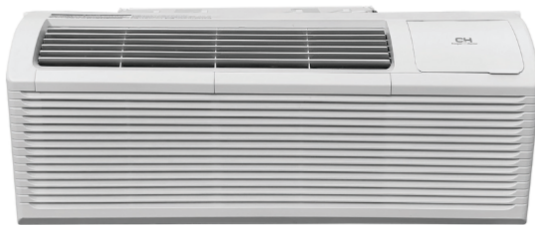


Job Name: _____
Location: _____
Engineer: _____
Submitted to: _____
Submitted by: _____
Reference: _____

Date: _____
Approval: _____
Construction: _____
Unit #: _____
Drawing #: _____

PTAC



KEY FEATURES:

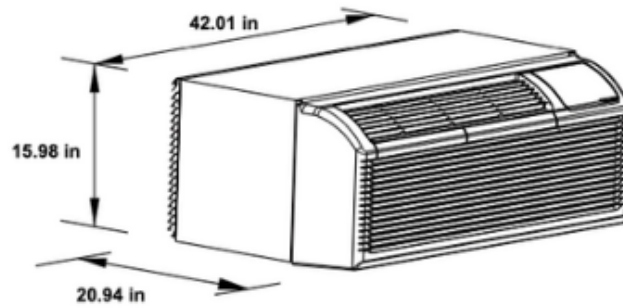
- All in one System.
- SmartKit Built In.
- Compatible with Universal 24V Wire Thermostat.
- Turbo Mode.
- 3 Speed Levels.



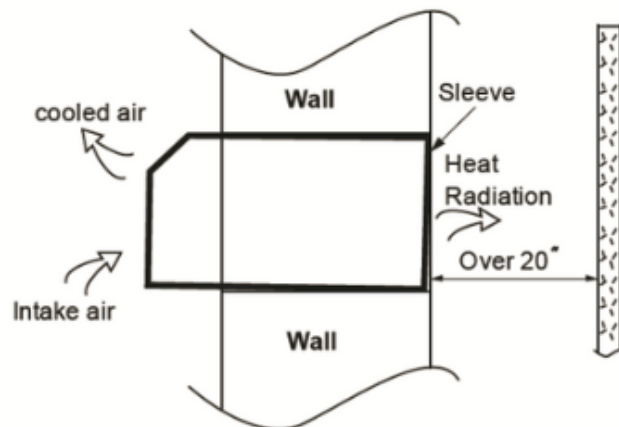
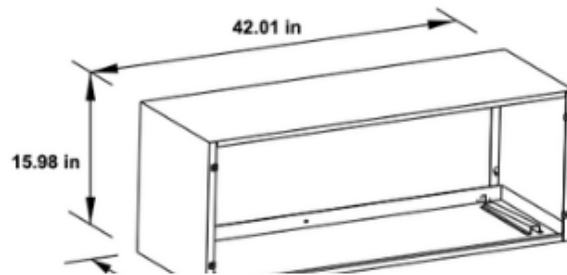
Model		CH-PT09HSGF	
Power supply		V, Ph, Hz	208/230V,1Ph,60Hz
Cooling	Capacity	Btu/h	9,200/9,000
	EER/EER2	Btu/w	11.3
	Input	W	814/796
	Rated current	A	3.54/3.83
Heating (PTC)	Capacity	Btu/h	10,900/8,900
	Input	kW	3,535.5/2,897
	Rated current	A	15.3/13.7
Heating (Heat Pump only)	Capacity	Btu/h	
	Input	kW	
	Rated current	A	
	COP	W/W	
Compressor	Type		ROTARY
	Capacity	W	2,585/2,600
	Input	W	638/650
	Rated current	A	3.08/2.85
	Locked rotor Amp(LRA)	A	18±10%
	Capacitor	uF	20
	Refrigerant oil/oil charge	oz	VG68 9.5
	Waterproofing class		IP20
Electrical	Plug type		LCDI(6-20P)
	Recommended Circuit Breaker	A	20
Outdoor side fan motor	Input	W	71
	Capacitor	uF	3
Refrigerant	Type		R410a
	Design pressure(145psi=1MPa)(L/H)	psi	300/540
Air flow and noise level	Indoor side air flow(Hi/Lo)	cfm	434.7/391.8/340.6
	Indoor side noise level (Hi/Lo)	dB(A)	50/48/47
	Outdoor side noise level(Hi)	dB(A)	63
	Fresh air ventelation	cfm	61.1/57.6/50.6
	Dehumidification value	pnt/day	26.4
Dimension	Dimension(W*D*H)	in	42.01x20.94x15.98
	Packing (W*D*H)	in	44.49x24.61x19.29
	Net/Gross weight	lb	98.10/108.69

PTAC

Dimension of air conditioner



Dimension of sleeve assembly (optional)



Cooper&Hunter products are subject to continuous improvements. Cooper&Hunter reserves the right to modify product design, specifications and information in this data sheet without notice and without incurring any obligations. Actual unit design may differ from images shown in this submittal sheet.