

Job Name: _____

Location: _____

Engineer: _____

Submitted to: _____

Submitted by: _____

Reference: _____

Date: _____

Approval: _____

Construction: _____

Unit #: _____

Drawing #: _____



KEY FEATURES:

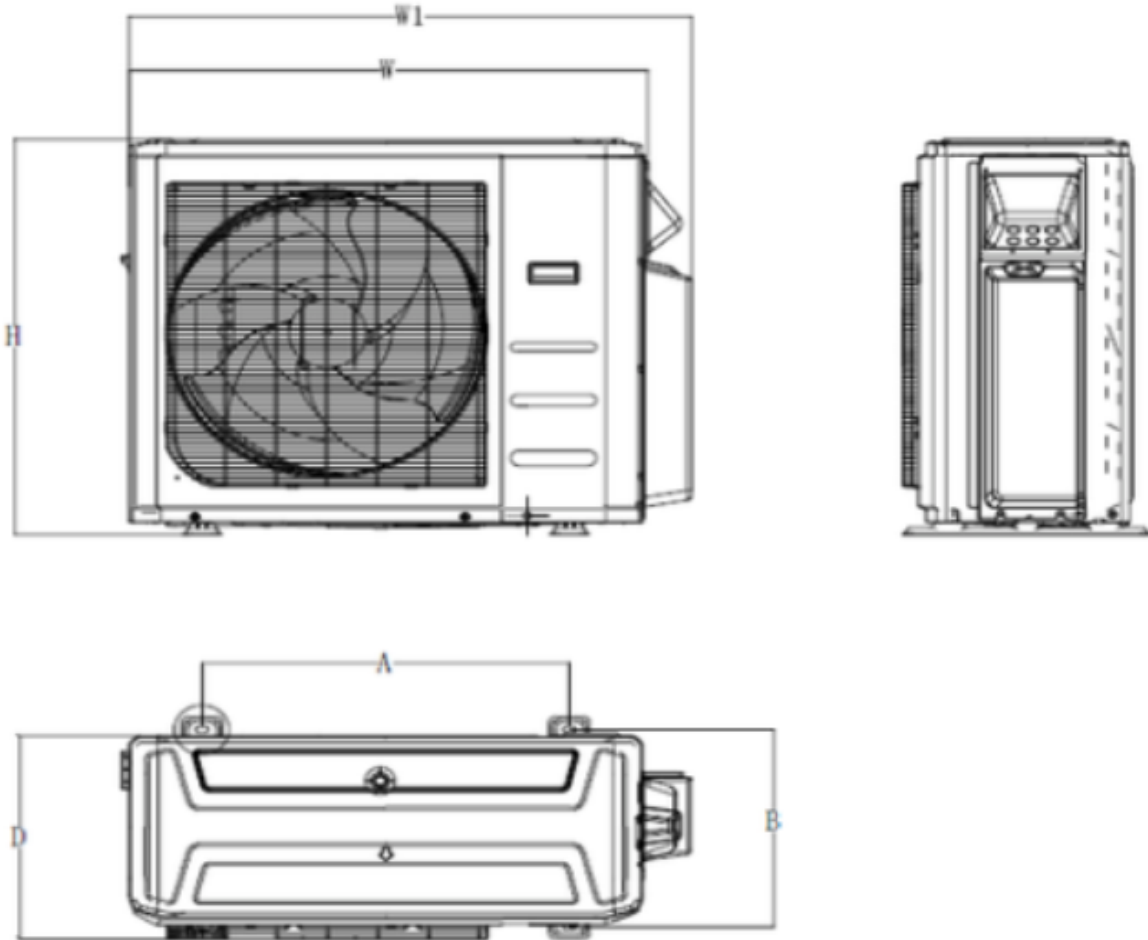
- Up to 3 Zone
- Inverter Technology
- HIGH-FREQUENCY RACER TECHNOLOGY: Enables the compressor to reach maximum speed within 6 seconds on start up.
- HIGH-EFFICIENCY PIPES: 54 teeth to increase heat exchange.
- INTELLIGENT DUSTING SWITCH: Reverses the fan to clean dust, sand, and other debris from the coil.
- The Cooper&Hunter standard warranty offers seven years on the compressor and five years on parts.

Cooling Capacity		Heating Capacity	SEER2	EER2	COP
Btu/h	Btu/h				
28,000(7,600~33,400)	28,000(4,500~38,500)		20	11.7	3.52

**Please note: for ducted solutions, values are represented with Outdoor Units combined with Indoor ducted units. Values will vary with depending on the combination of Outdoor/Indoor models used.*

SPECIFICATIONS:

Outdoor Model			CH-HPR28M-230VO
Power Supply	Rated	V, Ph, Hz	208-230V, 1Ph, 60Hz
Cooling	Rated Capacity (range)		Btu/h
			28,000(7,600~33,400)
Heating	Rated Capacity (range)		Btu/h
	HSPF4		9.5
	HSPF5		7.5
Minimum Circuit Ampacity (MCA)		A	25
Max. Fuse		A	40
Rated current (RLA)		A	10.9(5.46~16.05)
Compressor	Model		KTF310D43UMT
	Type		ROTARY
	Brand		GMCC
	RLA	A	17.5
	Input	w	2,765
	Refrigerant oil	oz	VG74 33.8
Outdoor fan motor	Qty		1
	Input	w	150
	RLA	A	1
Outdoor air flow (Max)		CFM	2,147.06
Outdoor noise level (Max)		dB(A)	63
Outdoor unit	Dimensions (WxDxH)		in
			37.24x16.14x31.89
	Packing (WxDxH)		in
			42.91x19.69x34.84
Net/Gross weight		in	167.99/179.67
Refrigerant	Type/Quantity		oz
			R410A
	Precharge		ft
			25x3
Additional Charge (liquid pipe)		oz	134.04
Design pressure		PSIG	550/340
Refrigerant piping	Liquid side/Gas side		in
			3x1/4" 2x3/8"+1x1/2"
	Max. length for all indoor units		ft
			196.85
	Max. length for one indoor unit		ft
			98.42
Max. height difference between indoor and outdoor		ft	49.21
Max. height difference between indoor units		ft	33
Ambient temperature	Cooling		F
			5~122
Heating		F	-22~75



Dimensions	Width	Depth	Height
Inches	37.24	16.14	31.89