

Job Name: _____
Location: _____
Engineer: _____
Submitted to: _____
Submitted by: _____
Reference: _____

Date: _____
Approval: _____
Construction: _____
Unit #: _____
Drawing #: _____

KEY FEATURES:

- Sleek, Modern Midnight Black Design
- Auto-Swing for horizontal louvers
- Genius Core ultra-low compressor speed of 12Hz
- 46° Freeze Protection
- Smart Kit Ready
- Turbo and Follow Me Mode

NOTES:



OLIVIA
MIDNIGHT

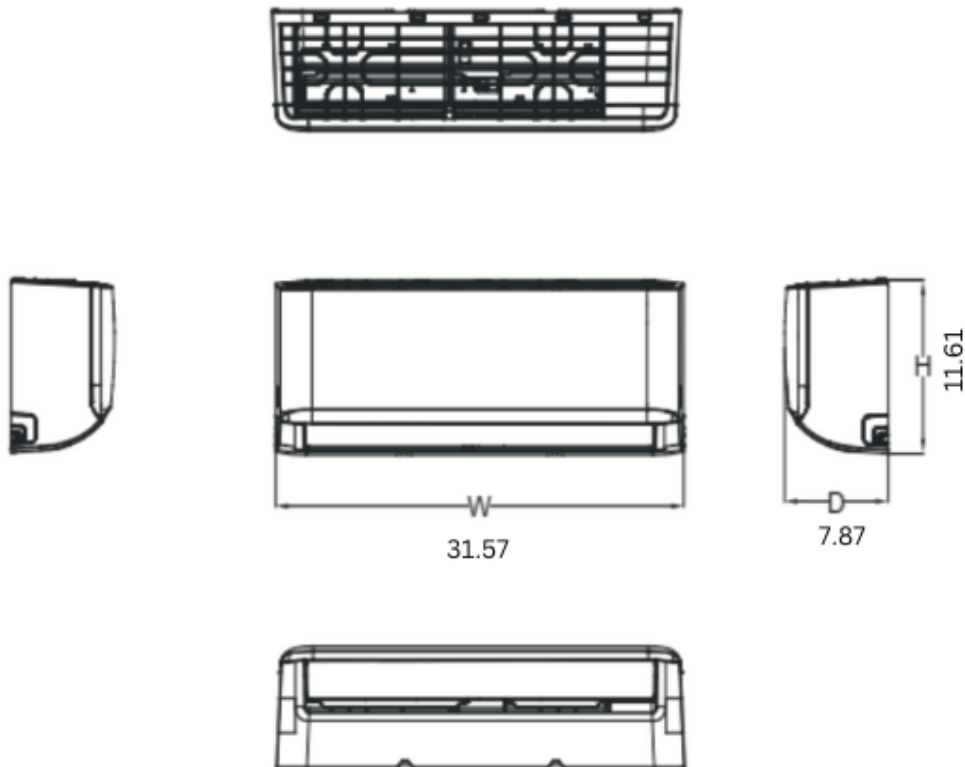


Indoor Model			CH-B09MOLVWM-230VI
Power supply		V, Ph, Hz	208-230V, 1Ph, 60Hz
Communication wiring			14AWG*4
Cooling	Capacity	Btu/h	9,000(3,700~13,300)
	Input	w	569(200~1,160)
	Rated current	A	2.5(0.9~5.1)
	EER/EER2	Btu/w	15.8
	SEER/SEER2	Btu/w	26.4
Heating at 47 °F	Capacity	Btu/h	12,000(5,100~14,300)
	Input	W	902(350~1,400)
	Rated current	A	4.0(1.6~6.5)
	COP	W/W	3.9
	HSPF4/HSPF2-4		11.6
	HSPF5/HSPF2-5		8.5
Indoor fan motor		Qty	1
		Input	35
		RLA	0.15
Indoor air flow (Turbo/Hi/Med/Lo) (No duct)		CFM	341.18/291.18/194.12/152.94
ESP (range)		In.wg.	
Indoor noise level (Hi/Med/Lo)		dB(A)	40/35/23.5
Dehumidification		L/H	0.85
Indoor unit	Dimensions (WxDxH)	inch	31.57x7.87x11.61
	Packing (WxDxH)	inch	34.45x11.22x14.96
	Net/Gross weight	lbs	18.96/24.25
Drainage water pipe diameter		inch	5/8"
Refrigerant piping (Liquid side/Gas side)		inch	1/4"/3/8"
Design pressure		PSIG	550/340
Controller			RG10K-exclusive remote
Room temperature	Cooling	F	60~90
	Heating	F	32~86

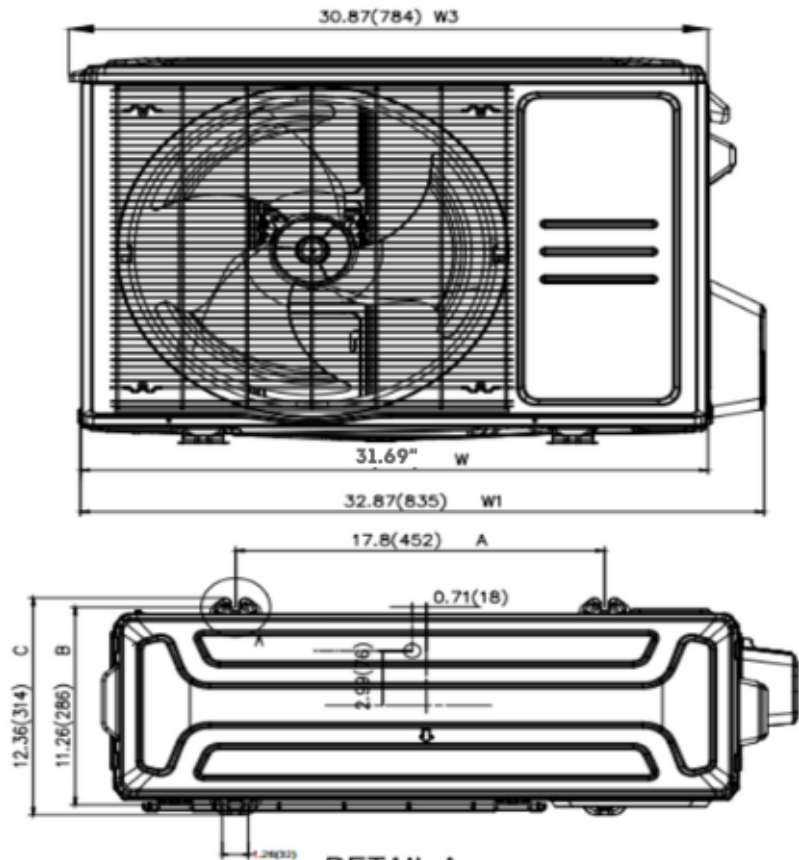
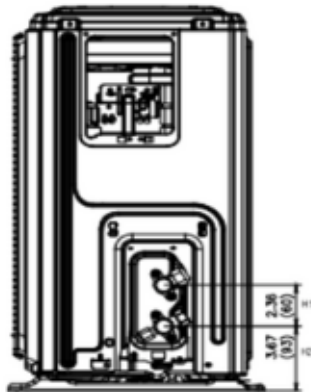
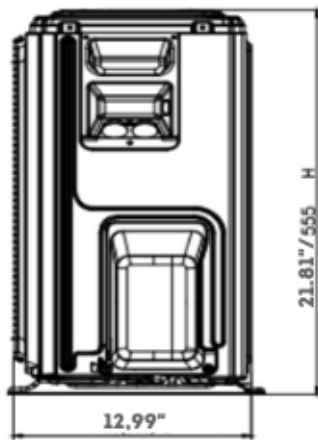
Outdoor Model			CH-HPR09-230VO
Power supply		V, Ph, Hz	208-230V, 1Ph, 60Hz
Min. circuit ampacity		A	15
Max. fuse		A	15
Compressor	Model		KTN110D42UFZ
	Type		ROTARY
	Brand		GMCC
	Capacity	Btu/h	11,820
	Input	w	885
	Rated current (RLA)	A	8.8
	Refrigerant oil	oz	VG74 11.8
Outdoor fan motor	Qty		1
	Input	w	96
	RLA	A	0.42
	Speed	r/min	850/680/450
Outdoor air flow (Max)		CFM	1,323.53
Outdoor noise level (Max)		dB(A)	55.5
Throttle type			EXV
Outdoor unit	Dimensions (WxDxH)	inch	31.69x12.99x21.81
	Packing (WxDxH)	inch	36.02x14.57x24.21
	Net/Gross weight	inch	74.07/80.25
Refrigerant	Type		R410A
	Precharge	ft	25
Additional charge for 1/4 inch liquid pipe		oz	0.16
Additional charge for 3/8 inch liquid pipe		oz	
Refrigerant piping	Liquid side/Gas side	inch	1/4"/3/8"
	Max. pipe length	ft	82.02
	Max. difference in level	ft	32.81
Ambient temperature	Cooling	F	-22~122
	Heating	F	-22~75

OLIVIA

Units: in



Dimension (WxDxH)
31.57x7.87x11.61



DETAIL A
SCALE 1:2

