

Job Name: _____

Location: _____

Engineer: _____

Submitted to: _____

Submitted by: _____

Reference: _____

Date: _____

Approval: _____

Construction: _____

Unit #: _____

Drawing #: _____

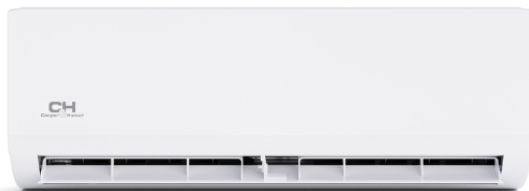
KEY FEATURES:

- Auto-Swing for horizontal louvers
- Genius Core ultra-low compressor speed of 12Hz
- 46° Freeze Protection
- Smart Kit Ready
- Turbo Mode
- Follow Me Mode

NOTES:



OLIVIA

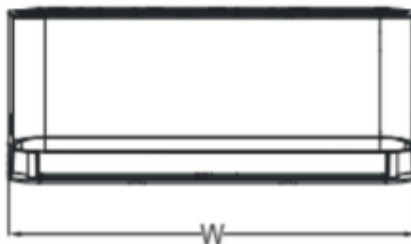


Indoor Model			CH-18MOLVWM-230VI
Power supply		V, Ph, Hz	208-230V, 1Ph, 60Hz
Communication wiring			14AWG*4
Cooling	Capacity	Btu/h	18,000(7,320~19,500)
	Input	w	1,333(560~1,748)
	Rated current	A	5.94(2.4~8)
	EER/EER2	Btu/w	13.5
	SEER/SEER2	Btu/w	24
Heating at 47 °F	Capacity	Btu/h	18,000(6,620~21,200)
	Input	W	1,410(460~1,964)
	Rated current	A	6.31(2.5~9)
	COP	W/W	3.74
	HSPF4/HSPF2-4		10.5
	HSPF5/HSPF2-5		7.9
Indoor fan motor		Qty	1
		Input	58
		RLA	0.25
Indoor air flow (Turbo/Hi/Med/Lo) (No duct)		CFM	760.59/530.59/458.82/382.35
ESP (range)		In.wg.	
Indoor noise level (Hi/Med/Lo)		dB(A)	45.5/41/24.5
Dehumidification		L/H	3.28
Indoor unit	Dimensions (WxDxH)	inch	42.64x9.61x13.23
	Packing (WxDxH)	inch	45.47x16.34x12.40
	Net/Gross weight	lbs	29.54/37.48
Drainage water pipe diameter		inch	5/8"
Refrigerant piping (Liquid side/Gas side)		inch	1/4"/1/2"
Design pressure		PSIG	550/340
Controller			RG10K-exclusive remote
Room temperature	Cooling	F	60~90
	Heating	F	32~86

Outdoor Model			CH-ES18-230VO
Power supply		V, Ph, Hz	208-230V, 1Ph, 60Hz
Min. circuit ampacity		A	19
Max. fuse		A	30
Compressor	Model		KSN140D58UFZ
	Type		ROTARY
	Brand		GMCC
	Capacity	Btu/h	14,720
	Input	w	1,090
	Rated current (RLA)	A	12
	Refrigerant oil	oz	VG74 14.9
Outdoor fan motor	Qty		1
	Input	w	170
	RLA	A	0.76
	Speed	r/min	810/720
Outdoor air flow (Max)		CFM	2,058.82
Outdoor noise level (Max)		dB(A)	58.8
Throttle type			EXV+Throttle valve
Outdoor unit	Dimensions (WxDxH)	inch	35.04x13.46x26.50
	Packing (WxDxH)	inch	39.17x15.67x29.13
	Net/Gross weight	inch	94.36/100.97
Refrigerant	Type		R410A
	Precharge	ft	25
Additional charge for 1/4 inch liquid pipe		oz	0.16
Additional charge for 3/8 inch liquid pipe		oz	
Refrigerant piping	Liquid side/Gas side	inch	1/4"/1/2"
	Max. pipe length	ft	98.42
	Max. difference in level	ft	65.62
Ambient temperature	Cooling	F	-13~122
	Heating	F	-13~75

OLIVIA

Units: in



42.64



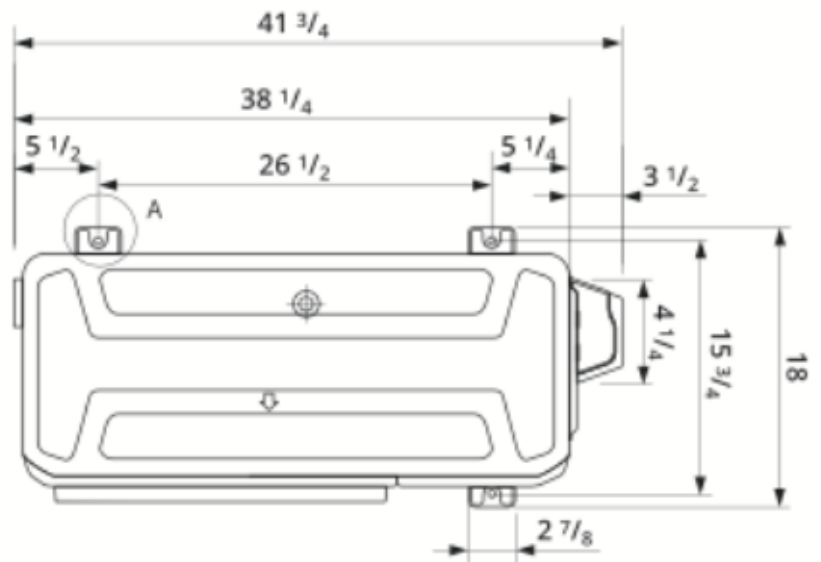
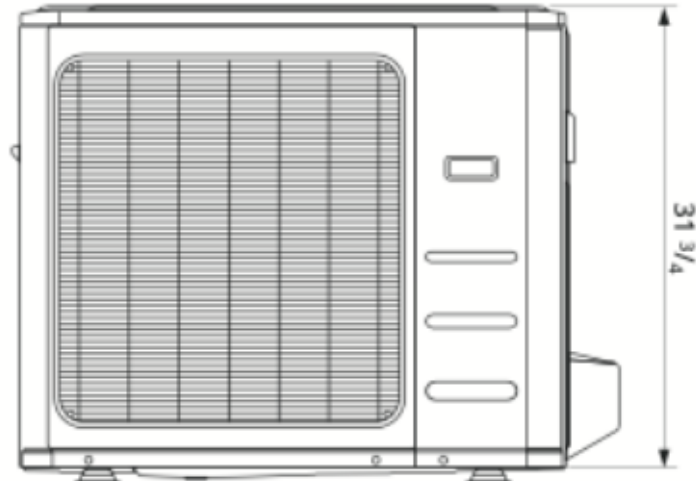
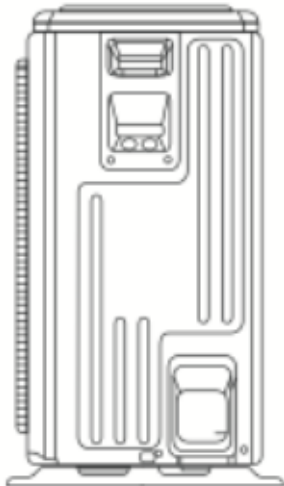
9.61

13.23



Dimension (WxDxH)

42.64x9.61x13.23



**DETAIL A
SCALE 1:1**

