

Job Name: _____

Location: _____

Engineer: _____

Submitted to: _____

Submitted by: _____

Reference: _____

Date: _____

Approval: _____

Construction: _____

Unit #: _____

Drawing #: _____

KEY FEATURES:

- Auto-Swing for horizontal louvers
- Genius Core ultra-low compressor speed of 12Hz
- 46° Freeze Protection
- Smart Kit Ready
- Turbo Mode
- Follow Me Mode

NOTES:



OLIVIA

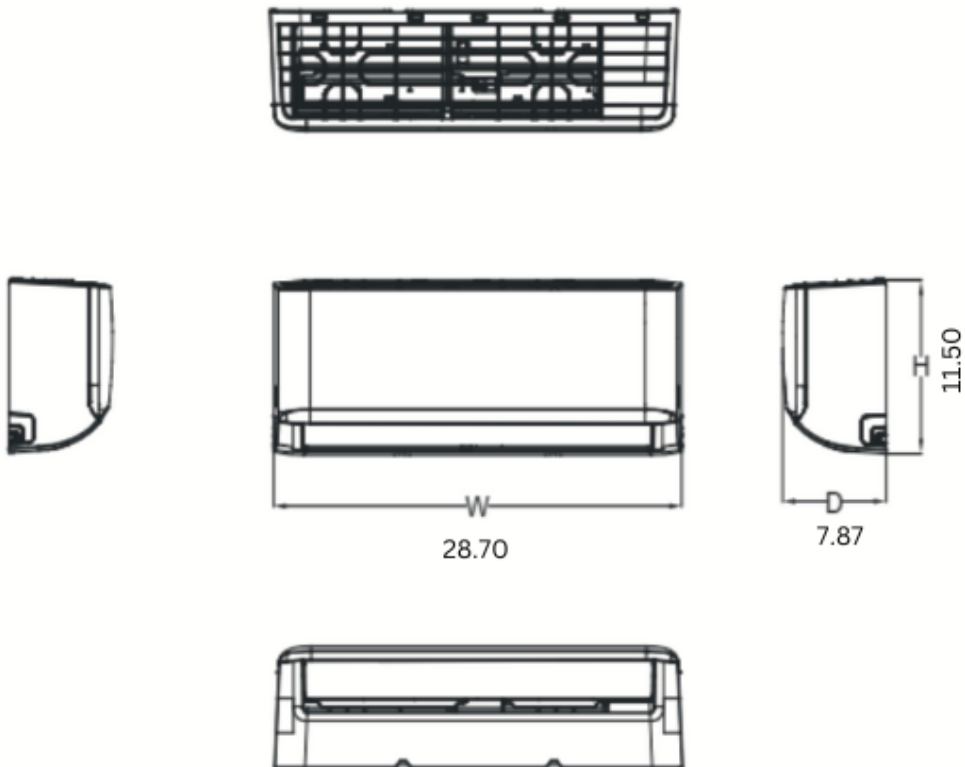


Indoor Model			CH-06OLVWM-115VI
Power supply		V, Ph, Hz	115V, 1Ph, 60Hz
Communication wiring			14AWG*4
Cooling	Capacity	Btu/h	6,000(3,930~13,200)
	Input	w	435(80~950)
	Rated current	A	3.8(1~10.2)
	EER/EER2	Btu/w	13.8
	SEER/SEER2	Btu/w	23
Heating at 47 °F	Capacity	Btu/h	7,000(5,000~12,600)
	Input	W	525(290~1,200)
	Rated current	A	4.6(3.3~12.9)
	COP	W/W	3.91
	HSPF4/HSPF2-4		9.8
	HSPF5/HSPF2-5		7.6
Indoor fan motor		Qty	1
		Input	35
		RLA	0.25
Indoor air flow (Turbo/Hi/Med/Lo) (No duct)		CFM	341.18/300.00/241.18/176.47
ESP (range)		In.wg.	
Indoor noise level (Hi/Med/Lo)		dB(A)	41.5/36/24
Dehumidification		L/H	1.71
Indoor unit	Dimensions (WxDxH)	inch	31.57x7.87x11.61
	Packing (WxDxH)	inch	34.45x11.22x14.96
	Net/Gross weight	lbs	18.96/24.47
Drainage water pipe diameter		inch	5/8"
Refrigerant piping (Liquid side/Gas side)		inch	1/4"/1/2"
Design pressure		PSIG	550/340
Controller			RG10K-exclusive remote
Room temperature	Cooling	F	60~90
	Heating	F	32~86

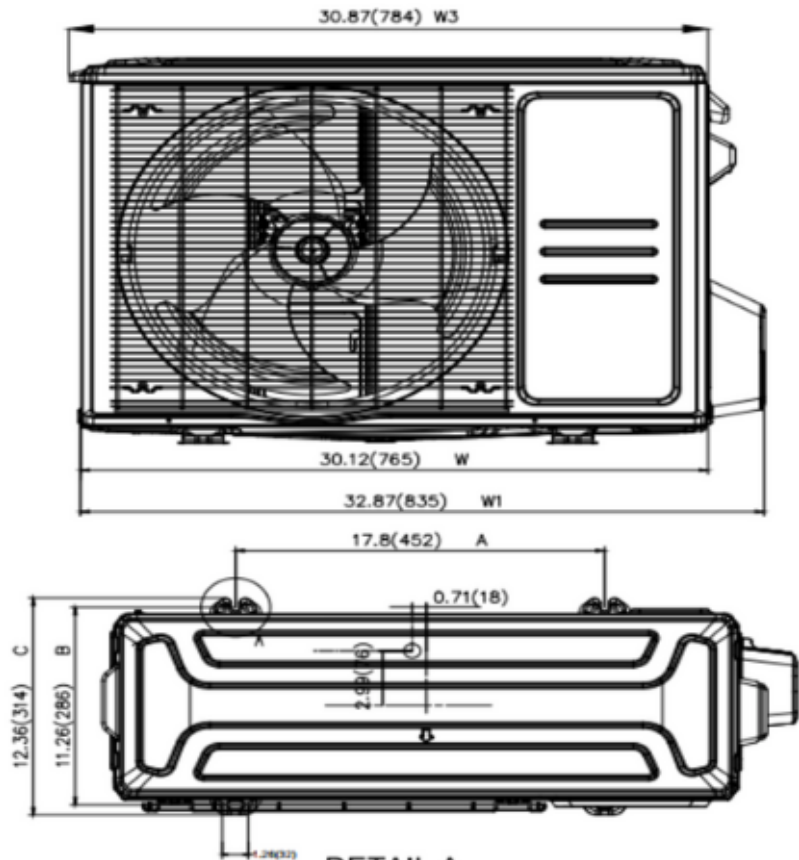
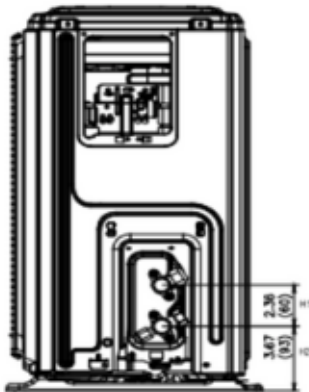
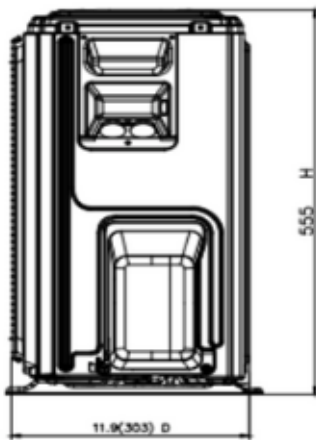
Outdoor Model			CH-ES06-115VO
Power supply		V, Ph, Hz	115V, 1Ph, 60Hz
Min. circuit ampacity		A	19
Max. fuse		A	25
Compressor	Model		KSK103D33UEZ3
	Type		ROTARY
	Brand		GMCC
	Capacity	Btu/h	11,100
	Input	w	826
	Rated current (RLA)	A	11.46
	Refrigerant oil	oz	VG74 10.5
Outdoor fan motor	Qty		1
	Input	w	92
	RLA	A	0.4
	Speed	r/min	850/600
Outdoor air flow (Max)		CFM	794.12
Outdoor noise level (Max)		dB(A)	54
Throttle type			EXV
Outdoor unit	Dimensions (WxDxH)	inch	30.12x11.93x21.85
	Packing (WxDxH)	inch	34.92x13.27x24.02
	Net/Gross weight	inch	66.80/72.31
Refrigerant	Type		R410A
	Precharge	ft	25
Additional charge for 1/4 inch liquid pipe		oz	0.16
Additional charge for 3/8 inch liquid pipe		oz	
Refrigerant piping	Liquid side/Gas side	inch	1/4"/1/2"
	Max. pipe length	ft	82.02
	Max. difference in level	ft	32.81
Ambient temperature	Cooling	F	-13~122
	Heating	F	-13~75

OLIVIA

Units: in



Dimension (WxDxH)
28.70x7.87x11.50



DETAIL A
SCALE 1:2

