

Job Name: _____

Location: _____

Engineer: _____

Submitted to: _____

Submitted by: _____

Reference: _____

Date: _____

Approval: _____

Construction: _____

Unit #: _____

Drawing #: _____

KEY FEATURES:

- Can be installed up to 2' from the ceiling
- E-Box and PCB located in the front of the unit with a cover kickstand providing easy access
- Revolutionary design offers convenient disassembly & maintenance with an easy-to-remove blower wheel
- Larger air inlet/outlet for improved air flow
- Auto-Swing for vertical and horizontal louvers
- Easy to remove magnetic filter on top
- Compatible with regular (-13°F) or Hyper (-22°F) outdoor units

NOTES:



 **ASTORIA**

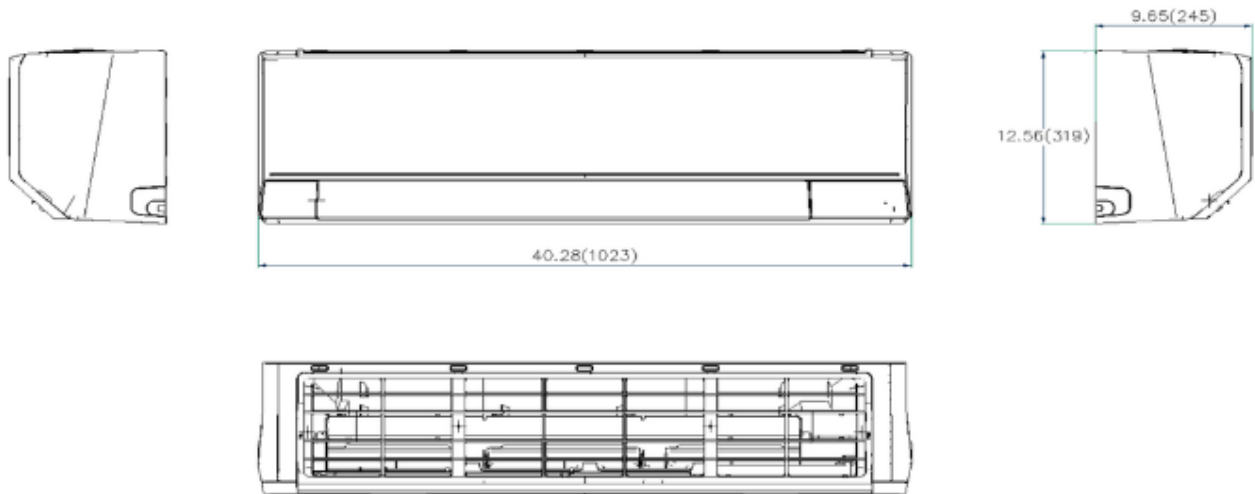


Indoor Model			CH-18MASTWM-230VI
Power supply		V, Ph, Hz	208-230V, 1Ph, 60Hz
Communication wiring			14AWG*4
Cooling	Capacity	Btu/h	18,000(8,870~19,400)
	Input	w	1,440(230~1,260)
	Rated current	A	6.3(2.5~5.5)
	EER/EER2	Btu/w	12.5
	SEER/SEER2	Btu/w	21.5
Heating at 47 °F	Capacity	Btu/h	18,000(15,100~19,500)
	Input	W	1,700(1,390~2,050)
	Rated current	A	7.3(5.3~9.0)
	COP	W/W	3.1
	HSPF4/HSPF2-4		11.3
	HSPF5/HSPF2-5		8.3
Indoor fan motor		Qty	1
		Input	36
		RLA	0.4
Indoor air flow (Turbo/Hi/Med/Lo) (No duct)		CFM	635.29/523.53/376.47/305.88
ESP (range)		In.wg.	
Indoor noise level (Hi/Med/Lo)		dB(A)	46/42/24
Dehumidification		L/H	4.56
Indoor unit	Dimensions (WxDxH)	inch	40.28x9.65x12.56
	Packing (WxDxH)	inch	43.11x12.80x15.75
	Net/Gross weight	lbs	27.12/35.71
Drainage water pipe diameter		inch	5/8"
Refrigerant piping (Liquid side/Gas side)		inch	1/4"/1/2"
Design pressure		PSIG	550/340
Controller			RG10K-exclusive remote
Room temperature	Cooling	F	60~90
	Heating	F	32~86

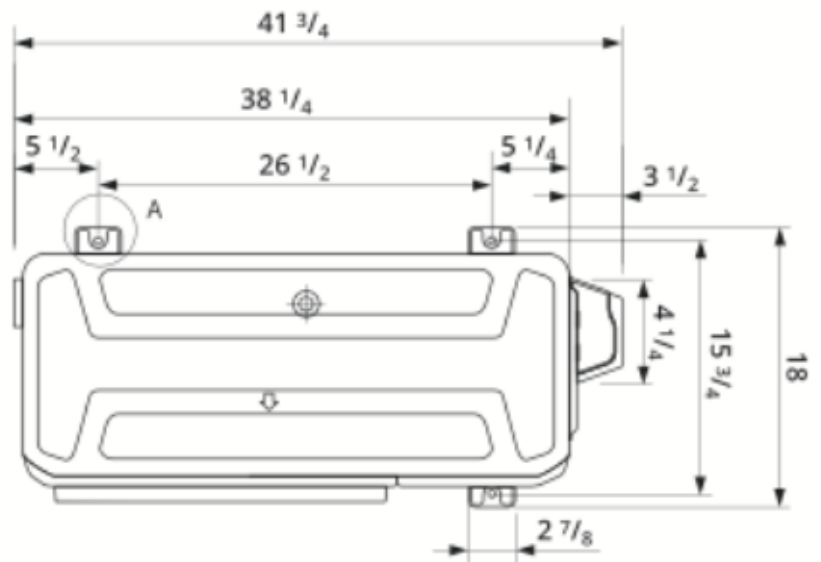
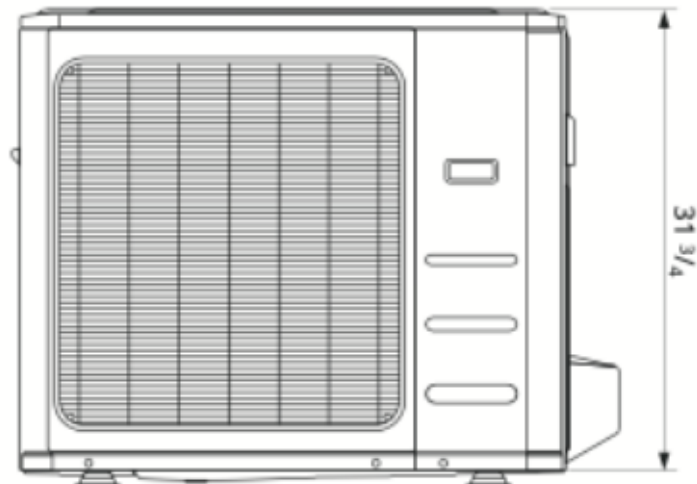
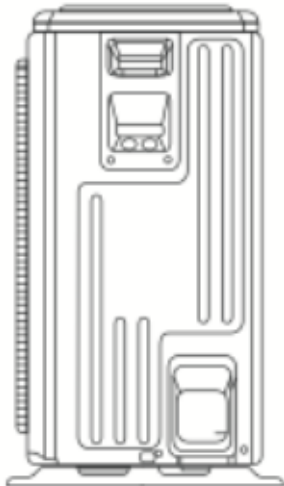
Outdoor Model			CH-HPR18-230VO
Power supply		V, Ph, Hz	208-230V, 1Ph, 60Hz
Min. circuit ampacity		A	20
Max. fuse		A	25
Compressor	Model		KTM240D43UKT
	Type		Twin-ROTARY
	Brand		GMCC
	Capacity	Btu/h	25,930
	Input	w	2,045
	Rated current (RLA)	A	14.25
	Refrigerant oil	oz	VG74 21
Outdoor fan motor	Qty		1
	Input	w	80
	RLA	A	0.76
	Speed	r/min	810/720
Outdoor air flow (Max)		CFM	1,764.71
Outdoor noise level (Max)		dB(A)	59
Throttle type			EXV
Outdoor unit	Dimensions (WxDxH)	inch	35.04x13.46x26.50
	Packing (WxDxH)	inch	39.17x15.67x29.13
	Net/Gross weight	inch	100.97/108.03
Refrigerant	Type		R410A
	Precharge	ft	25
Additional charge for 1/4 inch liquid pipe		oz	0.16
Additional charge for 3/8 inch liquid pipe		oz	
Refrigerant piping	Liquid side/Gas side	inch	1/4"/1/2"
	Max. pipe length	ft	98.42
	Max. difference in level	ft	65.62
Ambient temperature	Cooling	F	-22~122
	Heating	F	-22~75



Units: in (mm)



Dimension (WxDxH)
40.28x9.65x12.56



**DETAIL A
SCALE 1:1**

