

**Job Name:** \_\_\_\_\_

**Location:** \_\_\_\_\_

**Engineer:** \_\_\_\_\_

**Submitted to:** \_\_\_\_\_

**Submitted by:** \_\_\_\_\_

**Reference:** \_\_\_\_\_

**Date:** \_\_\_\_\_

**Approval:** \_\_\_\_\_

**Construction:** \_\_\_\_\_

**Unit #:** \_\_\_\_\_

**Drawing #:** \_\_\_\_\_

### KEY FEATURES:

- Can be installed up to 2' from the ceiling
- E-Box and PCB located in the front of the unit with a cover kickstand providing easy access
- Revolutionary design offers convenient disassembly & maintenance with an easy-to-remove blower wheel
- Larger air inlet/outlet for improved air flow
- Auto-Swing for vertical and horizontal louvers
- Easy to remove magnetic filter on top
- Compatible with regular (-13°F) or Hyper (-22°F) outdoor units

### NOTES:

\_\_\_\_\_

\_\_\_\_\_

\_\_\_\_\_

\_\_\_\_\_

\_\_\_\_\_



**ASTORIA**

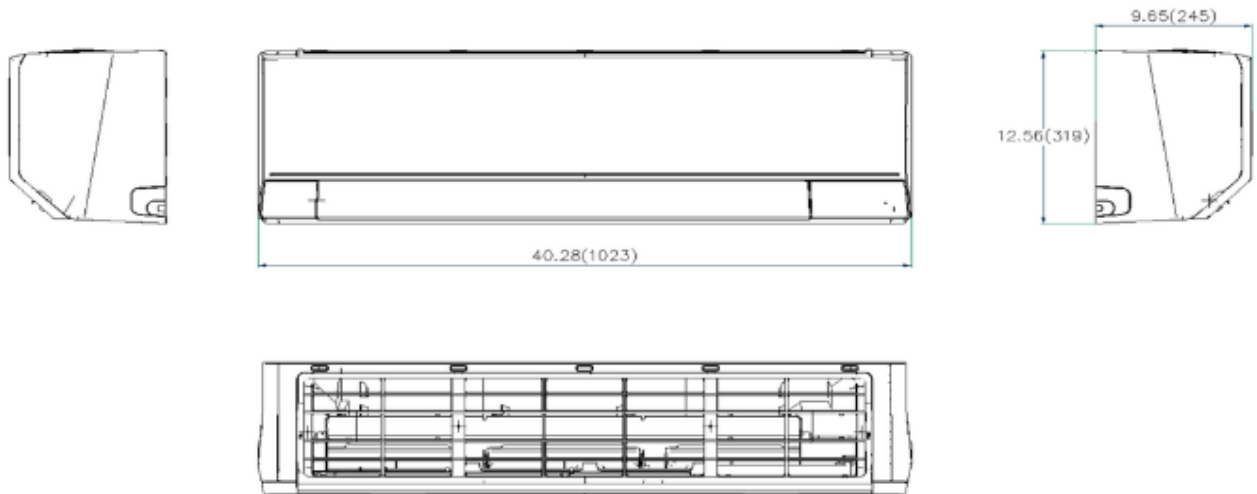


Indoor Model			CH-18MASTWM-230VI
Power supply		V, Ph, Hz	208-230V, 1Ph, 60Hz
Communication wiring			14AWG*4
Cooling	Capacity	Btu/h	18,000(5,450~19,300)
	Input	w	1,440(465~1,720)
	Rated current	A	6.45(2.0~7.5)
	EER/EER2	Btu/w	12.5
	SEER/SEER2	Btu/w	23.5
Heating at 47 °F	Capacity	Btu/h	19,000(6,200~21,000)
	Input	W	1,650(460~1,920)
	Rated current	A	7.4(2~8.4)
	COP	W/W	3.37
	HSPF4/HSPF2-4		10.8
	HSPF5/HSPF2-5		7.8
Indoor fan motor	Qty		1
	Input		36
	RLA		0.4
Indoor air flow (Turbo/Hi/Med/Lo) (No duct)		CFM	635.29/523.53/376.47/305.88
ESP (range)		In.wg.	
Indoor noise level (Hi/Med/Lo)		dB(A)	46.5/43/32.5
Dehumidification		L/H	4.10
Indoor unit	Dimensions (WxDxH)	inch	40.28x9.65x12.56
	Packing (WxDxH)	inch	43.11x12.80x15.75
	Net/Gross weight	lbs	27.12/35.71
Drainage water pipe diameter		inch	5/8"
Refrigerant piping (Liquid side/Gas side)		inch	1/4"/1/2"
Design pressure		PSIG	550/340
Controller			RG10K-exclusive remote
Room temperature	Cooling	F	60~90
	Heating	F	32~86

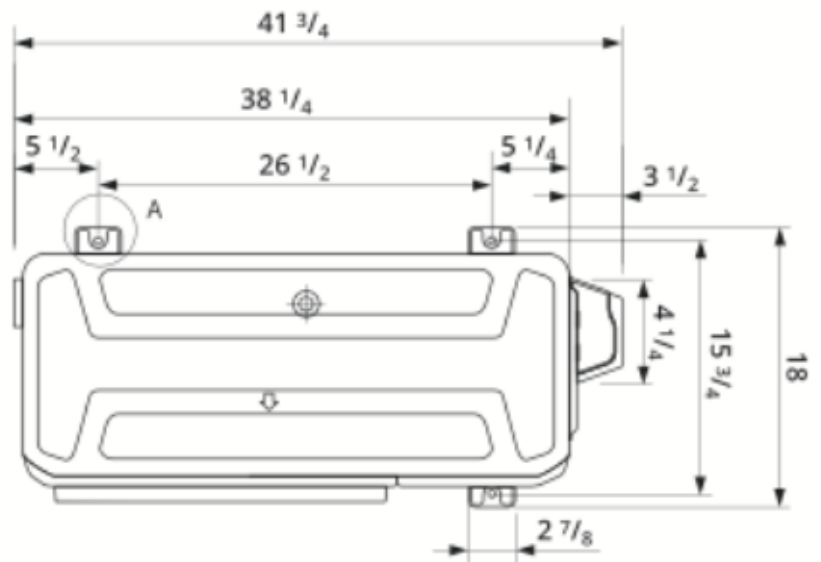
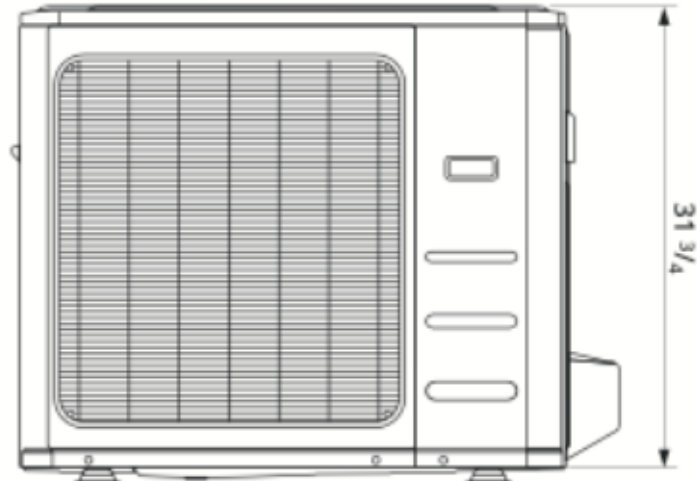
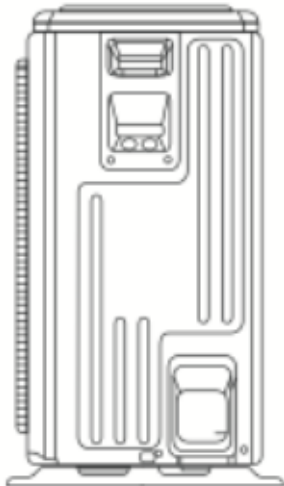
Outdoor Model		CH-ES18-230VO	
Power supply		V, Ph, Hz	208-230V, 1Ph, 60Hz
Min. circuit ampacity		A	19
Max. fuse		A	30
Compressor	Model		KSN140D58UFZ
	Type		ROTARY
	Brand		GMCC
	Capacity	Btu/h	14,720
	Input	w	1,090
	Rated current (RLA)	A	12
	Refrigerant oil	oz	VG74 14.9
Outdoor fan motor	Qty		1
	Input	w	80
	RLA	A	0.76
	Speed	r/min	810/720
Outdoor air flow (Max)		CFM	2,058.82
Outdoor noise level (Max)		dB(A)	58.8
Throttle type			EXV+Throttle valve
Outdoor unit	Dimensions (WxDxH)	inch	35.04x13.46x26.50
	Packing (WxDxH)	inch	39.17x15.67x29.13
	Net/Gross weight	inch	94.36/100.97
Refrigerant	Type		R410A
	Precharge	ft	25
Additional charge for 1/4 inch liquid pipe		oz	0.16
Additional charge for 3/8 inch liquid pipe		oz	
Refrigerant piping	Liquid side/Gas side	inch	1/4"/1/2"
	Max. pipe length	ft	98.42
	Max. difference in level	ft	65.62
Ambient temperature	Cooling	F	-13~122
	Heating	F	-13~75



Units: in (mm)



**Dimension (WxDxH)**  
**40.28x9.65x12.56**



**DETAIL A  
SCALE 1:1**

