

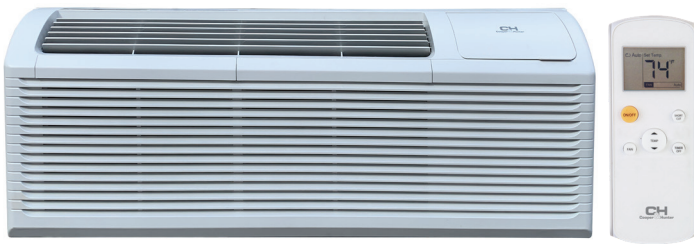
# PACKAGED TERMINAL AIR CONDITIONER

<b>SUBMITTAL DATA SHEET</b>	<b>CH-PTHE15HS</b>
-----------------------------	--------------------

Job Name: .....  
 Location: .....  
 Engineer: .....  
 Submitted to: .....  
 Submitted by: .....  
 Reference: .....

Date: .....  
 Approval: .....  
 Construction: .....  
 Unit #: .....  
 Drawing #: .....

## PERFORMANCE AND EFFICIENCY




Cooling	Capacity	14,700/14,500 Btu/h
	EER	3.11
	Input	1390/1370 W
Heating (PTC)	Capacity	10,900/8,900 Btu/h
	Input(Heater)	3535/2900 W

## OPERATION TEMPERATURE RANGE

Indoor		Outdoor	
cooling	heating	cooling	heating
63~90°F	32~81°F	64~109°F	23~75°F

## ELECTRICAL

Power supply	208-230V/ 60Hz, 1Ph
Starting current	47.1 A
Indoor side fan motor	
Input	37 W
Outdoor side fan motor	
Input	87 W



This warranty should be registered on our web-site [www.cooperandhunter.us](http://www.cooperandhunter.us) within 60 days of installation. The warranty is only valid when installed by a Licensed HVAC Technician. A warranty period of Seven (7) years on compressor to the original registered end-user. A warranty period of Five (5) years on all parts to the original registered end user. Warranty applies only to products remaining in their original installation location.

## GENERAL FEATURES

- Auto Restart
- Fresh Air Ventilation
- Digital Temperature Control
- Auto Defrost
- LED Display
- Anti-corrosion Proof Coils
- Gold Fin

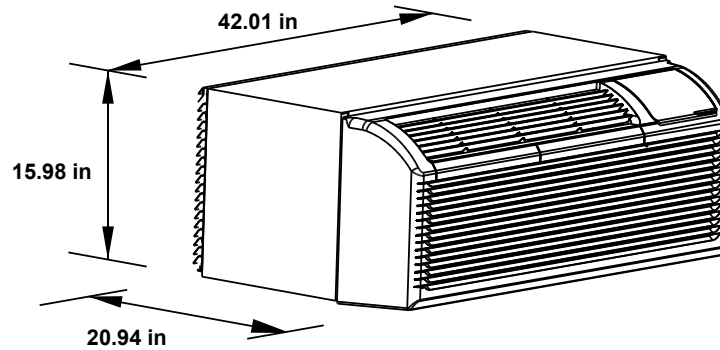
## UNIT SPECIFICATION

Indoor side air flow (Hi/Mi/Lo)	397.65/361.76/319.41 CFM
Indoor side noise level (Hi/Mi/Lo)	51.4/50.5/50.1 dB(A)
Dimension (WxDxH)	42.01x20.94x15.98 in
Net/Gross weight	113.10/122.80 lb
Design pressure	300/540 psi
Refrigerant type/Quantity	R410A/28,22 oz
Application area	215.28-312.15 sp.ft

SUBMITTAL DATA SHEET

CH-PTHE15HS

**Dimension of air conditioner**



**Dimension of sleeve assembly (optional)**

