

# PACKAGED TERMINAL AIR CONDITIONER

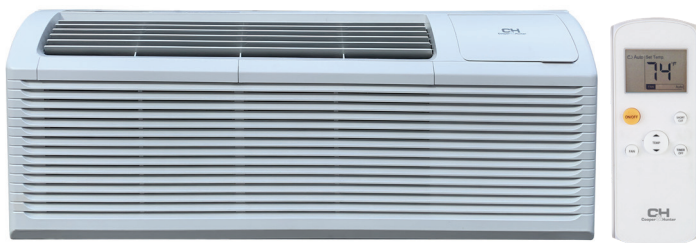
## SUBMITTAL DATA SHEET

CH-PTHE09HP

Job Name: .....  
 Location: .....  
 Engineer: .....  
 Submitted to: .....  
 Submitted by: .....  
 Reference: .....

Date: .....  
 Approval: .....  
 Construction: .....  
 Unit #: .....  
 Drawing #: .....

### PERFORMANCE AND EFFICIENCY



Cooling	Capacity	8,800/8,500 Btu/h
	EER	3.751
	Input	680/665 W
Heating (PTC)	Capacity	10,900/8,900 Btu/h
	Input(Heater)	3535.5/2897 W
Heating (Heat pump)	Capacity	7,800/7,500 Btu/h
	Input	600/580 W
	COP	3.80

### OPERATION TEMPERATURE RANGE

Indoor		Outdoor	
cooling	heating	cooling	heating
63~90°F	32~81°F	64~109°F	23~75°F

### ELECTRICAL

Power supply	208-230V/ 60Hz, 1Ph
Starting current	18 A
Indoor side fan motor	
Input	37 W
Outdoor side fan motor	
Input	87 W

This warranty should be registered on our web-site [www.cooperandhunter.us](http://www.cooperandhunter.us) within 60 days of installation. The warranty is only valid when installed by a Licensed HVAC Technician. A warranty period of Seven (7) years on compressor to the original registered end-user. A warranty period of Five (5) years on all parts to the original registered end user. Warranty applies only to products remaining in their original installation location.



### GENERAL FEATURES

- Auto Restart
- Fresh Air Ventilation
- Digital Temperature Control
- Auto Defrost
- LED Display
- Anti-corrosion Proof Coils
- Gold Fin

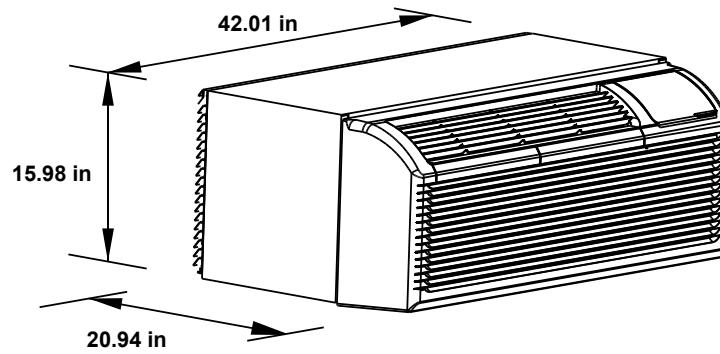
### UNIT SPECIFICATION

Indoor side air flow (Hi/Mi/Lo)	386.47/355.88/320.59 CFM
Indoor side noise level (Hi/Mi/Lo)	52.5/52/51.5 dB(A)
Dimension (WxDxH)	42.01x20.94x15.98 in
Net/Gross weight	108.36/119.05 lb
Design pressure	300/540 PSIG
Refrigerant type/Quantity	R410A/30,69 oz
Application area	129.17-193.75 sp.ft

SUBMITTAL DATA SHEET

CH-PTHE09HP

**Dimension of air conditioner**



**Dimension of sleeve assembly (optional)**

